

Style

M12 90° Socket
4 pin
D-coding

Ratings

Voltage: 250 V
Current: 4 A

Operating Temperature Range

-40~120°C

Materials

- ① Insulator: Polyamide 66 (PA66), UL94 V-0, black
- ② Pin: C3604 Brass, gold plated
- ③ M12 Shell: C3604 Brass, nickel plated
- ④ Outer Shell: Polyamide 66 (PA66), UL94 V-0, black
- ⑤ Collect nut: Polyamide 66 (PA66), UL94 V-0, black
- ⑥ Collect: Polyamide 66 (PA66), UL94 V-0, black
- ⑦ O-ring: Silicone, green

Electrical Requirements

Dielectric strength: 1 min @ 1500 Vac
Insulation resistance: 100 MΩ @ 500 Vdc
Contact resistance: 0.5 Ω or less

Mechanical Requirements

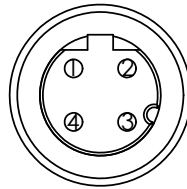
Life cycle: 1000 mating cycles minimum

Assembly Info

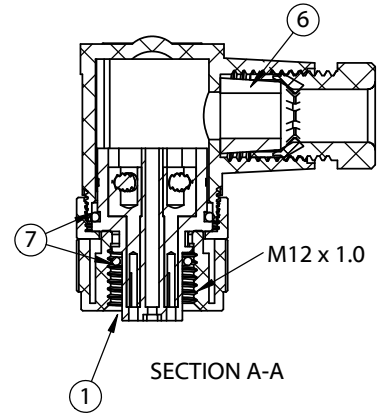
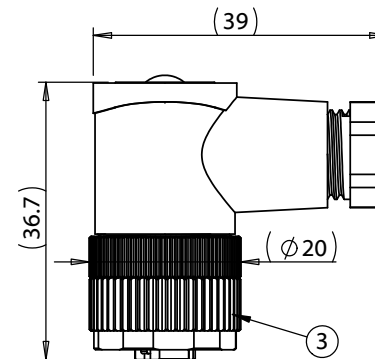
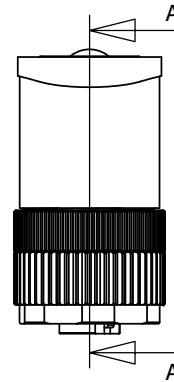
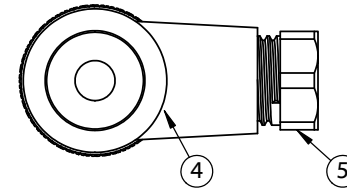
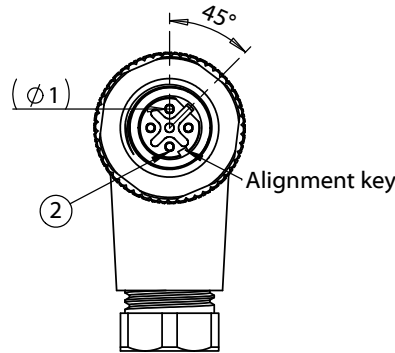
Moisture resistant
Waterproof: IP67
Suitable cable OD: 4.0 ~ 6.2 mm
Terminal style: screw
Max torque force:
M12 shell: 0.4 Nm
Collect nut: 0.8 ~ 1.0 Nm

Recommended Wires

AWG	TPU wire	PVC wire	4A compatible
20	30-03077	30-01657	Yes
22	30-03078	30-01658	Yes
24	30-03079	30-01659	Yes
26	30-03080	30-01660	No
28	30-03081	30-01661	No
30	30-03082	30-01662	No
32	30-03083	30-01663	No



Front View
Not to Scale



Revision:	Date:	Description:	Prepared:	Notes:	<h1>TENSILITY</h1> <p>tel 1.541.323.3228 800 877.670.7118 fax 1.541.323.4202 web tensility.com</p>
A	05/20/2024	Initial release	Verified:	RoHS compliant	
			Dimensions are in millimeters. Tolerances: X: ± 0.3 mm X.X: ± 0.1 mm X.XX: ± 0.05 mm	Function test: no open, no short circuit, no intermittent	
				Description: Connector, M12 D-code socket, 4 pin, 12xL39 mm, 90° gold plated, assembly style, screw terminal, IP67, metal thread	
			Size:	Part number:	
			A	55-00434	
			Scale: 1:1		Sheet 1 of 1