

**Style**

M12 99° Plug, shielded  
5 pin  
B-coding

**Ratings**

Voltage: 60 V  
Current: 4 A

**Operating Temperature Range**

-40~120°C

**Materials**

- ① Insulator: Polyamide 66 (PA66), UL94 V-0, black
- ② Pin: C3604 Brass, gold plated
- ③ M12 Shell: C3604 Brass, nickel plated
- ④ Outer Shell: C3604 Brass, nickel plated
- ⑤ Metal ring: C3604 Brass, nickel plated
- ⑥ Collet nut: C3604 Brass, nickel plated
- ⑦ Collet: Polyamide 66 (PA66), UL94 V-0, black
- ⑧ O-ring: Silicone, green
- ⑨ Washer: 65Mn Steel, nickel plated

**Electrical Requirements**

Dielectric strength: 1 min @ 500 Vac  
Insulation resistance: 100 MΩ @ 500 Vdc  
Contact resistance: 10 mΩ or less

**Mechanical Requirements**

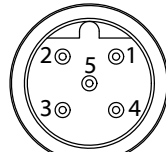
Life cycle: 1000 mating cycles minimum

**Assembly Info**

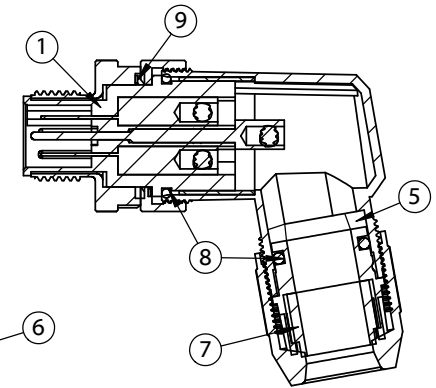
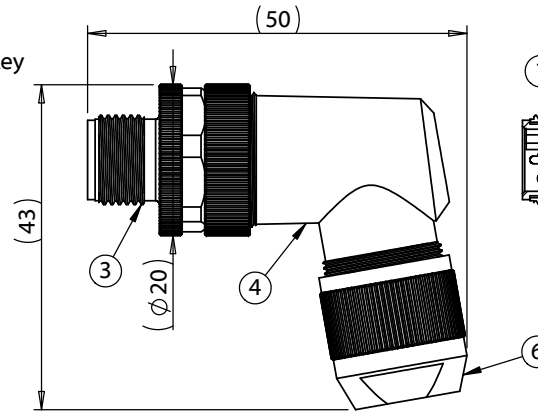
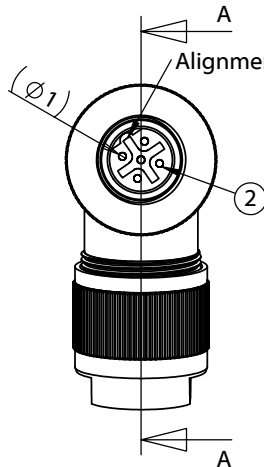
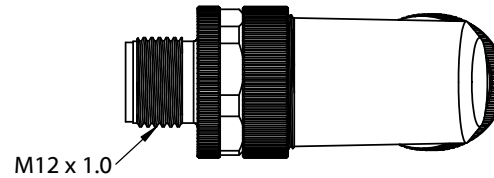
Waterproof: IP67  
Suitable cable OD: 6.0 ~ 8.2 mm  
Terminal style: screw  
Max torque force:  
M12 shell: 0.4 Nm  
Collect nut: 0.8 ~ 1.0 Nm

**Recommended Wires**

AWG	TPU wire	PVC wire	4A compatible
18	30-03012	30-01584	Yes
20	30-03013	30-01585	Yes
22	30-03014	30-01586	Yes
24	30-03015	30-01587	Yes
		30-02976	Yes



Front View  
Not to Scale



SECTION A-A

Revision: A	Date: 12/23/2024	Description: Initial release	Prepared:	Notes: RoHS compliant	<h1>TENSILITY</h1> <p>tel 1.541.323.3228 800 877.670.7118 fax 1.541.323.4202 web tensility.com</p>
			Verified:	Function test: no open, no short circuit, no intermittent	
			Dimensions are in millimeters. Tolerances: X: ± 0.3 mm X.X: ± 0.1 mm X.XX: ± 0.05 mm	Description: Connector, M12 B-code plug, 5 pin, 12xL43 mm, 99° gold plated, assembly style, screw terminal, IP67, shielded	Size: A Part number: 55-00303 Scale: 1:1