

Style

M12 99° Socket, shielded
4 pin
D-coding

Ratings

Voltage: 250 V
Current: 4 A

Operating Temperature Range

-40~120°C

Materials

- ① Insulator: Polyamide 66 (PA66), UL94 V-0, black
- ② Pin: C3604 Brass, gold plated
- ③ M12 Shell: C3604 Brass, nickel plated
- ④ Outer Shell: C3604 Brass, nickel plated
- ⑤ Metal ring: C3604 Brass, nickel plated
- ⑥ Collet nut: C3604 Brass, nickel plated
- ⑦ Collet: Polyamide 66 (PA66), UL94 V-0, black
- ⑧ O-ring: Silicone, green
- ⑨ Washer: 65Mn Steel, nickel plated

Electrical Requirements

Dielectric strength: 1 min @ 500 Vac
Insulation resistance: 100 MΩ @ 500 Vdc
Contact resistance: 10 mΩ or less

Mechanical Requirements

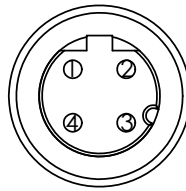
Life cycle: 1000 mating cycles minimum

Assembly Info

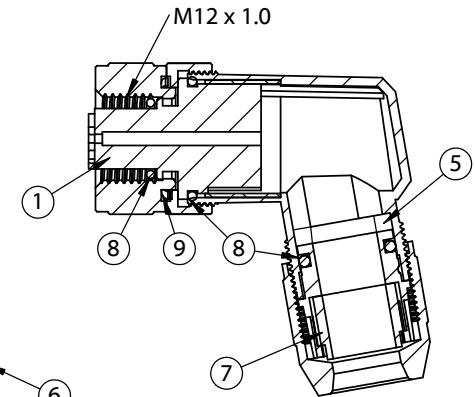
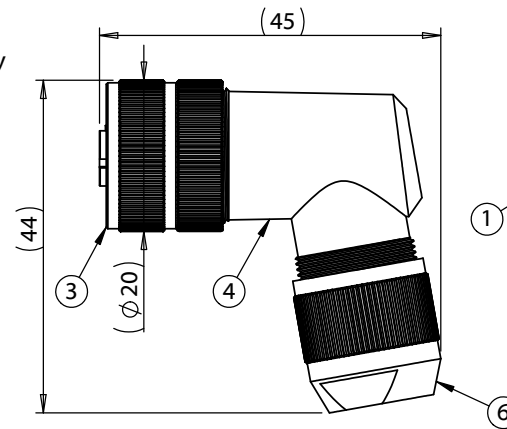
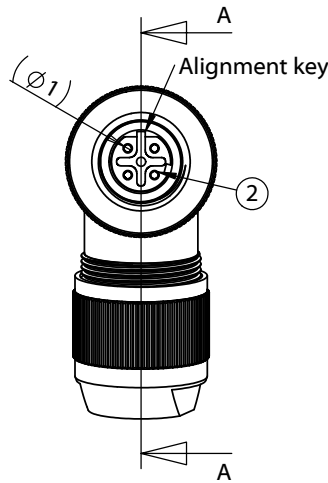
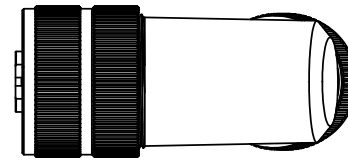
Waterproof: IP67
Suitable cable OD: 6.0 ~ 8.2 mm
Terminal style: screw
Max torque force:
M12 shell: 0.4 Nm
Collect nut: 0.8 ~ 1.0 Nm

Recommended Wires

AWG	TPU wire	PVC wire	4A compatible
18	30-03004	30-01576	Yes
20	30-03005	30-05177	Yes
22	30-03006	30-01578	Yes
		30-03378	Yes



Front View
Not to Scale



SECTION A-A

Revision: A	Date: 12/18/2024	Description: Initial release	Prepared:	Notes: RoHS compliant	<h1>TENSILITY</h1> <p>tel 1.541.323.3228 800 877.670.7118 fax 1.541.323.4202 web tensility.com</p>
			Verified:	Function test: no open, no short circuit, no intermittent	
			Dimensions are in millimeters. Tolerances: X: ± 0.3 mm X.X: ± 0.1 mm X.XX: ± 0.05 mm	Description: Connector, M12 D-code socket, 4 pin, 12xL44 mm, 99° gold plated, assembly style, screw terminal, IP67, shielded	Size: A Part number: 55-00295 Scale: 1:1