

Style

M12 Socket, shielded
4 pin
B-coding

Ratings

Voltage: 250 V
Current: 4 A

Operating Temperature Range

-40~120°C

Materials

- ① Insulator: Polyamide 66 (PA66), UL94 V-0, black
- ② Pin: C3604 Brass, gold plated
- ③ M12 Shell: C3604 Brass, nickel plated
- ④ Outer Shell: C3604 Brass, nickel plated
- ⑤ Metal ring: C3604 Brass, nickel plated
- ⑥ Collet nut: C3604 Brass, nickel plated
- ⑦ Collet: Polyamide 66 (PA66), UL94 V-0, black
- ⑧ O-ring: Silicone, green
- ⑨ Washer: 65Mn Steel, nickel plated

Electrical Requirements

Dielectric strength: 1 min @ 500 Vac
Insulation resistance: 100 MΩ @ 500 Vdc
Contact resistance: 10 mΩ or less

Mechanical Requirements

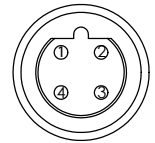
Life cycle: 1000 mating cycles minimum

Assembly Info

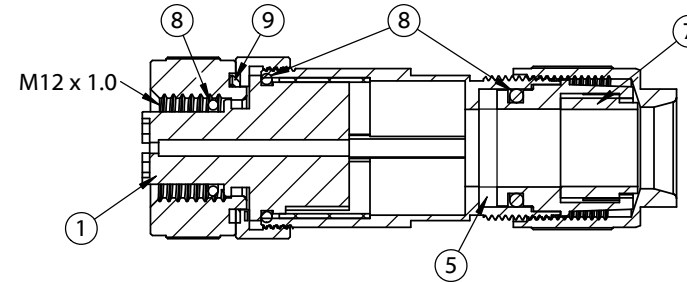
Waterproof: IP67
Suitable cable OD: 6.0 ~ 8.2 mm
Terminal style: screw
Max torque force:
M12 shell: 0.4 Nm
Collect nut: 0.8 ~ 1.0 Nm

Recommended Wires

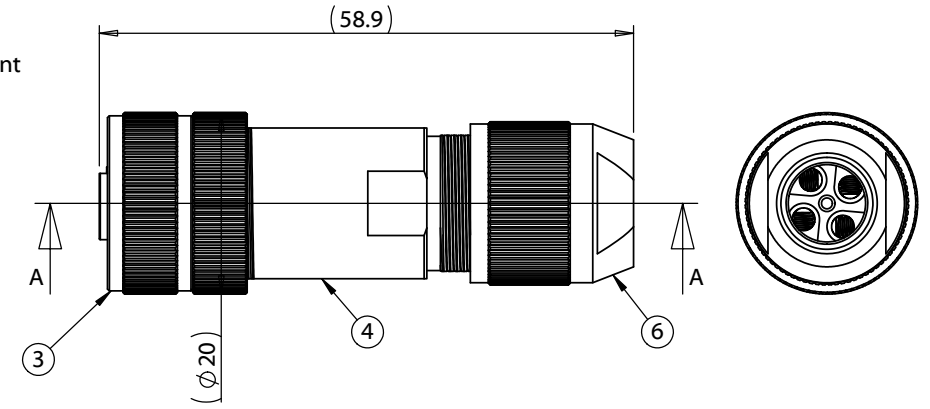
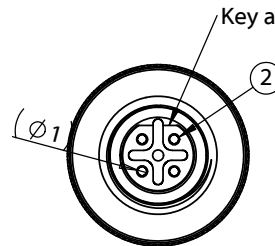
AWG	TPU wire	PVC wire	4A compatible
18	30-03004	30-01576	Yes
20	30-03005	30-01577	Yes
22	30-03006	30-01578	Yes
		30-03378	Yes



Front View
Not to Scale



SECTION A-A



Revision:	Date:	Description:
A	11/28/2024	Initial release

Prepared:

Verified:

Dimensions are in millimeters.
Tolerances:
X: ± 0.3 mm
X.X: ± 0.1 mm
X.XX: ± 0.05 mm

Notes:

RoHS compliant

Function test: no open, no short circuit, no intermittent

Description:
Connector, M12 B-code socket, 4 pin, 12xL58.9 mm, gold plated, assembly style, screw terminal, IP67, shielded

TENSILITY

tel 1.541.323.3228 800 877.670.7118
fax 1.541.323.4202 web tensility.com

Size: A Part number: 55-00288
Scale: 1.2:1 Sheet 1 of 1

To see a custom version of this cable assembly, call Tensility at 541-323-3228 or email engineering@tensility.com