

Style

M12 Plug, shielded
4 pin
B-coding

Ratings

Voltage: 250 V
Current: 4 A

Operating Temperature Range

-40~120°C

Materials

- ① Insulator: Polyamide 66 (PA66), UL94 V-0, black
- ② Pin: C3604 Brass, gold plated
- ③ M12 Shell: C3604 Brass, nickel plated
- ④ Outer Shell: C3604 Brass, nickel plated
- ⑤ Metal ring: C3604 Brass, nickel plated
- ⑥ Collet nut: C3604 Brass, nickel plated
- ⑦ Collet: Polyamide 66 (PA66), UL94 V-0, black
- ⑧ O-ring: Silicone, green
- ⑨ Washer: 65Mn Steel, nickel plated

Electrical Requirements

Dielectric strength: 1 min @ 500 Vac
Insulation resistance: 100 MΩ @ 500 Vdc
Contact resistance: 10 mΩ or less

Mechanical Requirements

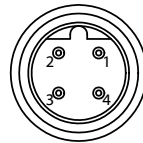
Life cycle: 1000 mating cycles minimum

Assembly Info

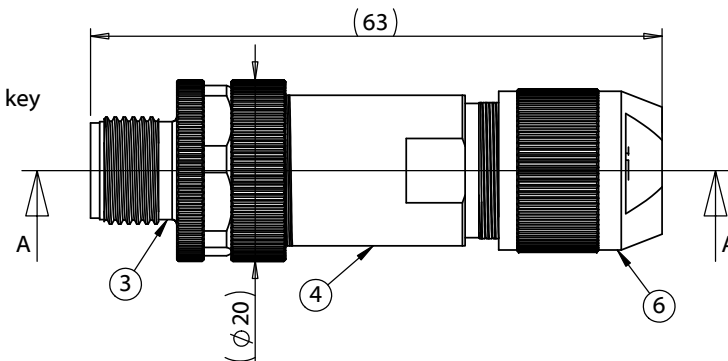
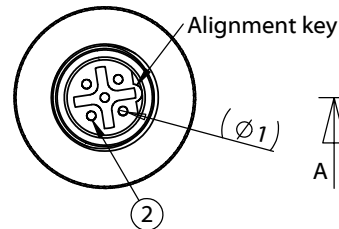
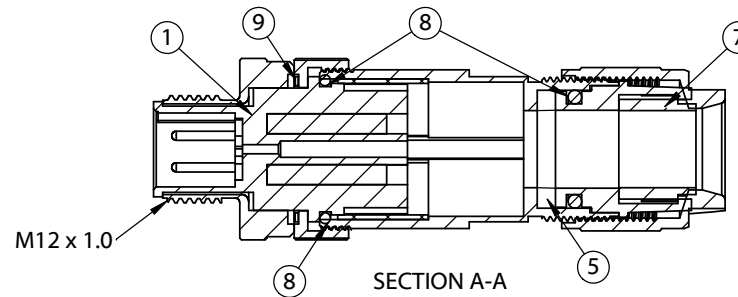
Waterproof: IP67
Suitable cable OD: 6.0 ~ 8.2 mm
Terminal style: screw
Max torque force:
M12 shell: 0.4 Nm
Collect nut: 0.8 ~ 1.0 Nm


Recommended Wires

AWG	TPU wire	PVC wire	4A compatible
18	30-03004	30-01576	Yes
20	30-03005	30-01577	Yes
22	30-03006	30-01578	Yes
		30-03378	Yes



Front View
Not to Scale



Revision:	Date:	Description:	Prepared:	Notes:	<h1>TENSILITY</h1> tel 1.541.323.3228 800 877.670.7118 fax 1.541.323.4202 web tensility.com
A	12/20/2024	Initial release	Verified:	RoHS compliant Function test: no open, no short circuit, no intermittent	
			Dimensions are in millimeters. Tolerances: X: ± 0.3 mm X.X: ± 0.1 mm X.XX: ± 0.05 mm	Description: Connector, M12 B-code plug, 4 pin, 12xL63 mm, gold plated, assembly style, screw terminal, IP67, shielded	Size: Part number: A 55-00285
					Scale: 1.2:1  Sheet 1 of 1