

Style

M12 Plug
5 pin
B-coding

Ratings

Voltage: 60 V
Current: 4 A

Operating Temperature Range

-40~120°C

Materials

- ① Insulator: Polyamide 66 (PA66), UL94 V-0, black
- ② Pin: C3604 Brass, gold plated
- ③ M12 Shell: C3604 Brass, nickel plated
- ④ Outer Shell: Polyamide 66 (PA66), UL94 V-0, black
- ⑤ Collect nut: Polyamide 66 (PA66), UL94 V-0, black
- ⑥ Collect: Polyamide 66 (PA66), UL94 V-0, black
- ⑦ O-ring: Silicone, green

Electrical Requirements

Dielectric strength: 1 min @ 1500 Vac
Insulation resistance: 100 MΩ @ 500 Vdc
Contact resistance: 0.5 Ω or less

Mechanical Requirements

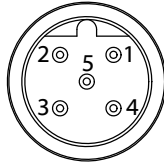
Life cycle: 1000 mating cycles minimum

Assembly Info

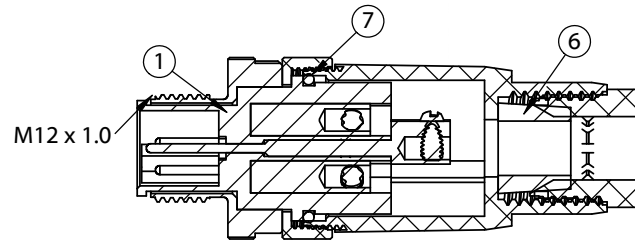
Moisture resistant
Waterproof: IP67
Suitable cable OD: 4.0 ~ 6.2 mm
Terminal style: screw
Max torque force:
M12 shell: 0.4 Nm
Collect nut: 0.8 ~ 1.0 Nm

Recommended Wires

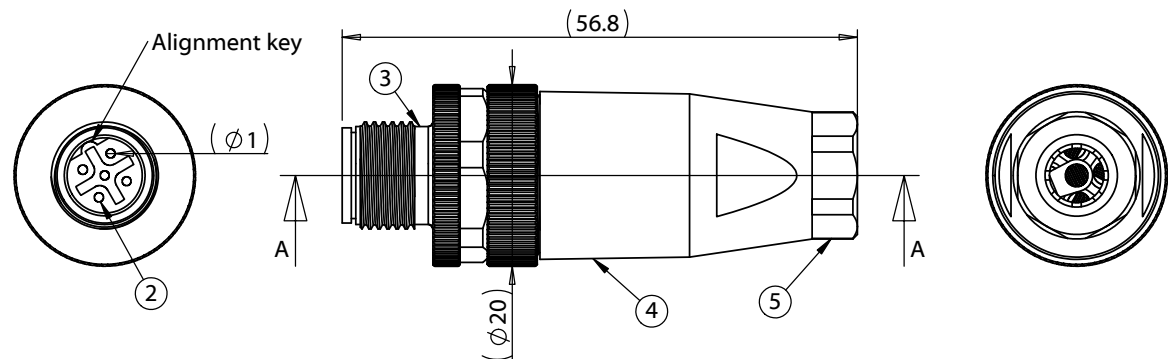
AWG	TPU wire	PVC wire	4A compatible
20	30-03085	30-01665	Yes
22	30-03086	30-01666	Yes
24	30-03087	30-01667	Yes
26	30-03088	30-01668	No
28	30-03089	30-01669	No
30	30-03090	30-01670	No
32	30-03091	30-01671	No



Front View
Not to Scale



SECTION A-A



Revision:	Date:	Description:
A	05/21/2024	Initial release

Prepared:
Verified:
Dimensions are in millimeters. Tolerances: X: ± 0.3 mm X.X: ± 0.1 mm X.XX: ± 0.05 mm

Notes: RoHS compliant
Function test: no open, no short circuit, no intermittent
Description: Connector, M12 B-code plug, 5 pin, 12xL56.8 mm, gold plated, assembly style, screw terminal, IP67, metal thread

TENSILITY

tel 1.541.323.3228 800 877.670.7118
fax 1.541.323.4202 web tensility.com

Size: A	Part number: 55-00273
Scale: 1.2:1	