

**Style**

M12 90° Plug  
4 pin  
D-coding

**Ratings**

Voltage: 250 V  
Current: 4 A

**Operating Temperature Range**

-40~120°C

**Materials**

- ① Insulator: Polyamide 66 (PA66), UL94 V-0, black
- ② Pin: C3604 Brass, gold plated
- ③ M12 Shell: C3604 Brass, nickel plated
- ④ Outer Shell: Polyamide 66 (PA66), UL94 V-0, black
- ⑤ Collect nut: Polyamide 66 (PA66), UL94 V-0, black
- ⑥ Collect: Polyamide 66 (PA66), UL94 V-0, black
- ⑦ O-ring: Silicone, green

**Electrical Requirements**

Dielectric strength: 1 min @ 1500 Vac  
Insulation resistance: 100 MΩ @ 500 Vdc  
Contact resistance: 0.5 Ω or less

**Mechanical Requirements**

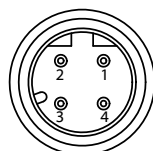
Life cycle: 1000 mating cycles minimum

**Assembly Info**

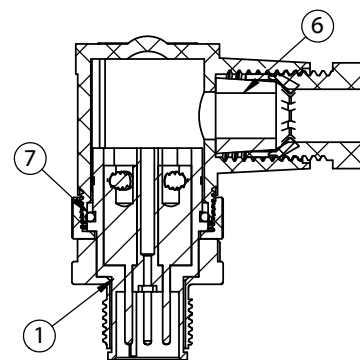
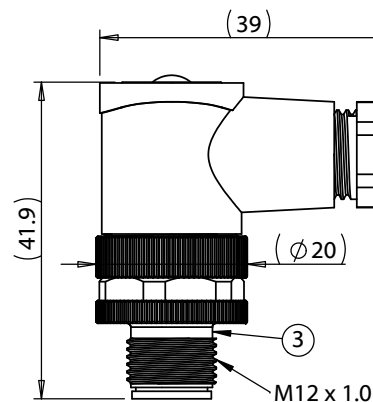
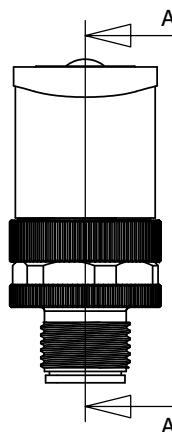
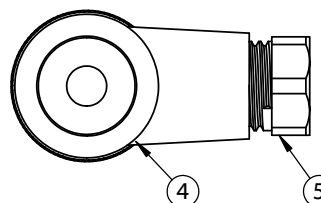
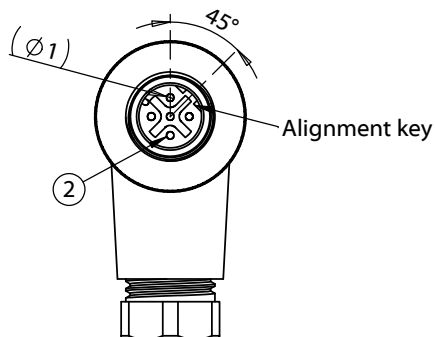
Moisture resistant  
Waterproof: IP67  
Suitable cable OD: 4.0 ~ 6.2 mm  
Terminal style: screw  
Max torque force:  
M12 shell: 0.4 Nm  
Collect nut: 0.8 ~ 1.0 Nm

**Recommended Wires**

| AWG | TPU wire | PVC wire | 4A compatible |
|-----|----------|----------|---------------|
| 20  | 30-03077 | 30-01657 | Yes           |
| 22  | 30-03078 | 30-01658 | Yes           |
| 24  | 30-03079 | 30-01659 | Yes           |
| 26  | 30-03080 | 30-01660 | No            |
| 28  | 30-03081 | 30-01661 | No            |
| 30  | 30-03082 | 30-01662 | No            |
| 32  | 30-03083 | 30-01663 | No            |




Front View  
Not to Scale



SECTION A-A



|           |            |                 |  |   |   |
|-----------|------------|-----------------|--|---|---|
| Revision: | Date:      | Description:    | Prepared:  | Notes:  | <h1>TENSILITY</h1><br>tel 1.541.323.3228 800 877.670.7118<br>fax 1.541.323.4202 web tensility.com |
| A         | 05/17/2024 | Initial release | Verified:  | RoHS compliant<br>Function test: no open, no short circuit, no intermittent   |   |
|           |            |                 | Dimensions are in millimeters.<br>Tolerances:<br>X: ± 0.3 mm<br>X.X: ± 0.1 mm<br>X.XX: ± 0.05 mm | Description:<br>Connector, M12 D-code plug, 4 pin, 12xL39 mm, 90° gold plated, assembly style, screw terminal, IP67, metal thread | Size:<br>A  |
|           |            |                 |  |   | Part number:<br>55-00268  |
|           |            |                 |  |   | Scale: 1:1  |
|           |            |                 |  |   |              |