

Style

M12 90° Plug
4 pin
B-coding

Ratings

Voltage: 250 V
Current: 4 A

Operating Temperature Range

-40~120°C

Materials

- ① Insulator: Polyamide 66 (PA66), UL94 V-0, black
- ② Pin: C3604 Brass, gold plated
- ③ M12 Shell: C3604 Brass, nickel plated
- ④ Outer Shell: Polyamide 66 (PA66), UL94 V-0, black
- ⑤ Collect nut: Polyamide 66 (PA66), UL94 V-0, black
- ⑥ Collect: Polyamide 66 (PA66), UL94 V-0, black
- ⑦ O-ring: Silicone, green

Electrical Requirements

Dielectric strength: 1 min @ 1500 Vac
Insulation resistance: 100 MΩ @ 500 Vdc
Contact resistance: 0.5 Ω or less

Mechanical Requirements

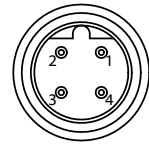
Life cycle: 1000 mating cycles minimum

Assembly Info

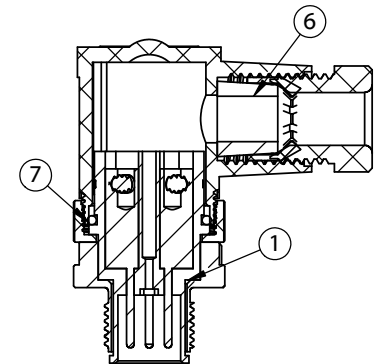
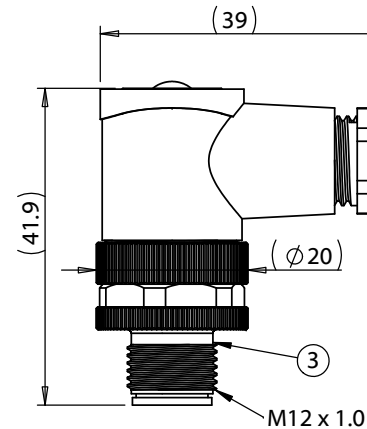
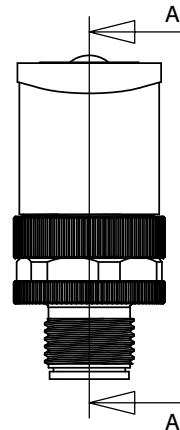
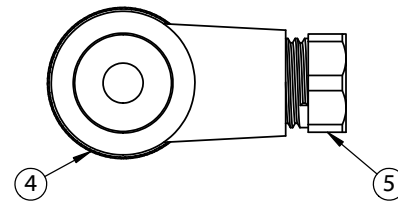
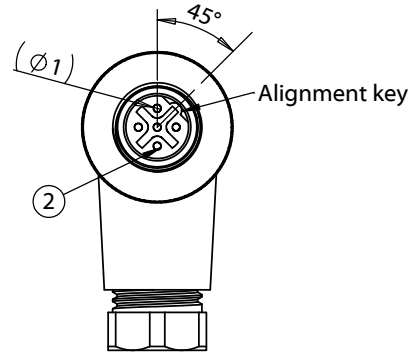
Moisture resistant
Waterproof: IP67
Suitable cable OD: 4.0 ~ 6.2 mm
Terminal style: screw
Max torque force:
M12 shell: 0.4 Nm
Collect nut: 0.8 ~ 1.0 Nm

Recommended wires

| AWG | TPU wire | PVC wire | 4A compatible |
|-----|----------|----------|---------------|
| 20 | 30-03077 | 30-01657 | Yes |
| 22 | 30-03078 | 30-01658 | Yes |
| 24 | 30-03079 | 30-01659 | Yes |
| 26 | 30-03080 | 30-01660 | No |
| 28 | 30-03081 | 30-01661 | No |
| 30 | 30-03082 | 30-01662 | No |
| 32 | 30-03083 | 30-01663 | No |



Front View
Not to Scale



SECTION A-A

| | | | | | |
|-------------|------------------|------------------------------|--|--|--|
| Revision: A | Date: 05/17/2024 | Description: Initial release | Prepared: | Notes: RoHS compliant | <h1>TENSILITY</h1> <p>tel 1.541.323.3228 800 877.670.7118 fax 1.541.323.4202 web tensility.com</p> |
| | | | Verified: | Function test: no open, no short circuit, no intermittent | |
| | | | Dimensions are in millimeters. Tolerances: X: ± 0.3 mm X.X: ± 0.1 mm X.XX: ± 0.05 mm | Description: Connector, M12 B-code plug, 4 pin, 12xL39 mm, 90° gold plated, assembly style, screw terminal, IP67, metal thread | Size: A Part number: 55-00267 |
| | | | | | Scale: 1:1 Sheet 1 of 1 |