

**Style**  
M12 Plug  
4 pin  
B-coding

**Ratings**  
Voltage: 250 V  
Current: 4 A

**Operating Temperature Range**  
-40~120°C

- Materials**
- ① Insulator: Polyamide 66 (PA66), UL94 V-0, black
  - ② Pin: C3604 Brass, gold plated
  - ③ M12 Shell: C3604 Brass, nickel plated
  - ④ Outer Shell: Polyamide 66 (PA66), UL94 V-0, black
  - ⑤ Collect nut: Polyamide 66 (PA66), UL94 V-0, black
  - ⑥ Collect: Polyamide 66 (PA66), UL94 V-0, black
  - ⑦ O-ring: Silicone, green

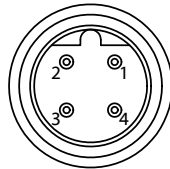
**Electrical Requirements**  
Dielectric strength: 1 min @ 1500 Vac  
Insulation resistance: 100 MΩ @ 500 Vdc  
Contact resistance: 0.5 Ω or less

**Mechanical Requirements**  
Life cycle: 1000 mating cycles minimum

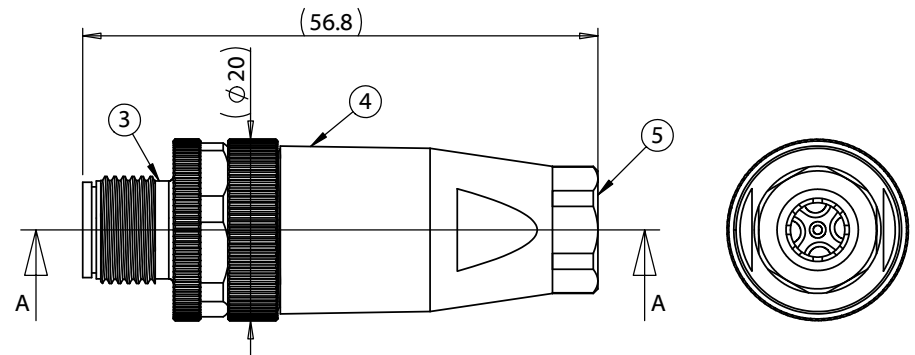
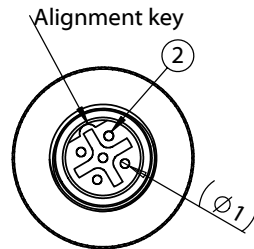
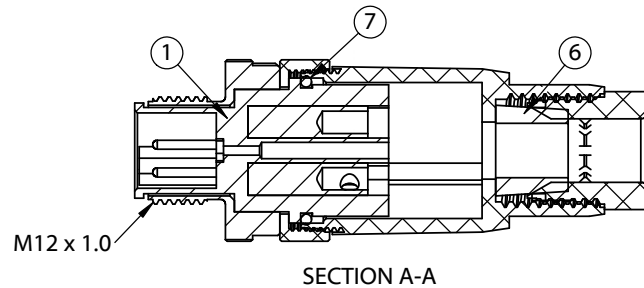
**Assembly Info**  
Moisture resistant  
Waterproof: IP67  
Suitable cable OD: 4.0 ~ 6.2 mm  
Terminal style: screw  
Max torque force:  
M12 shell: 0.4 Nm  
Collect nut: 0.8 ~ 1.0 Nm

**Recommended Wires**

AWG	TPU wire	PVC wire	4A compatible
20	30-03077	30-01657	Yes
22	30-03078	30-01658	Yes
24	30-03079	30-01659	Yes
26	30-03080	30-01660	No
28	30-03081	30-01661	No
30	30-03082	30-01662	No
32	30-03083	30-01663	No



Front View  
Not to Scale



Revision:	Date:	Description:
A	05/15/2024	Initial release

Prepared:

Verified:

Dimensions are in millimeters.  
Tolerances:  
X: ± 0.3 mm  
X.X: ± 0.1 mm  
X.XX: ± 0.05 mm

Notes:  
RoHS compliant

Function test: no open, no short circuit, no intermittent

Description:  
Connector, M12 B-code plug, 4 pin, 12xL56.8 mm, gold plated, assembly style, screw terminal, IP67, metal thread

**TENSILITY**

tel 1.541.323.3228 800 877.670.7118  
fax 1.541.323.4202 web tensility.com

Size: A  
Part number: 55-00261  
Scale: 1.2:1



Sheet 1 of 1