

**Style**

M12 Plug  
4 pin  
A-coding

**Ratings**

Voltage: 250 V  
Current: 4 A

**Operating Temperature Range**

-40~120°C

**Materials**

- ① Insulator: Polyamide 66 (PA66), UL94 V-0, black
- ② Pin: C3604 Brass, gold plated
- ③ M12 Shell: C3604 Brass, nickel plated
- ④ Outer Shell: Polyamide 66 (PA66), UL94 V-0, black
- ⑤ Collect nut: Polyamide 66 (PA66), UL94 V-0, black
- ⑥ Collect: Polyamide 66 (PA66), UL94 V-0, black
- ⑦ O-ring: Silicone, green

**Electrical Requirements**

Dielectric strength: 1 min @ 1500 Vac  
Insulation resistance: 100 MΩ @ 500 Vdc  
Contact resistance: 0.5 Ω or less

**Mechanical Requirements**

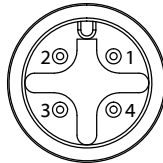
Life cycle: 1000 mating cycles minimum

**Assembly Info**

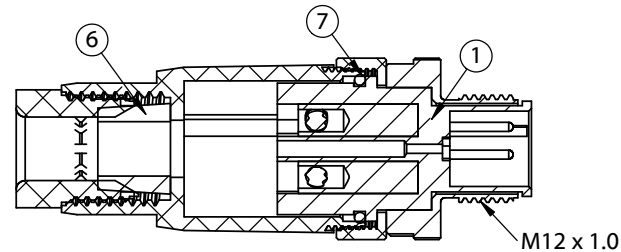
Moisture resistant  
Waterproof: IP67  
Suitable cable OD: 4.0 ~ 6.2 mm  
Terminal style: screw  
Max torque force:  
M12 shell: 0.4 Nm  
Collect nut: 0.8 ~ 1.0 Nm

**Recommended Wires**

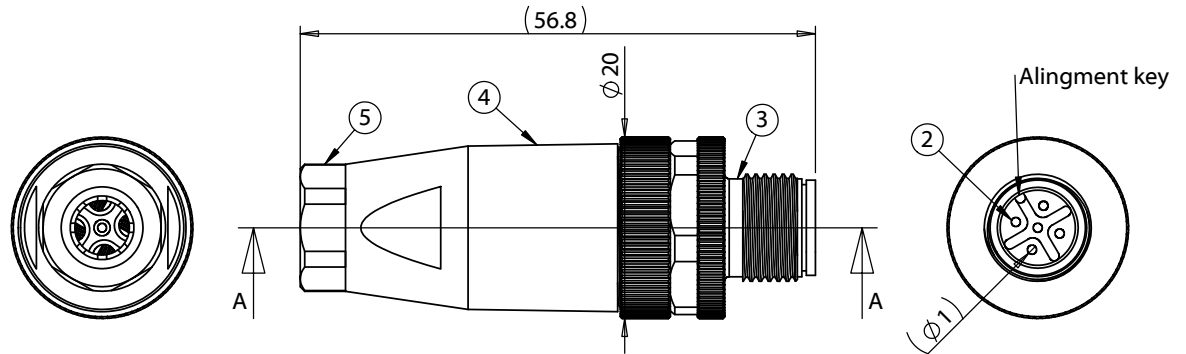
AWG	TPU wire	PVC wire	4A compatible
20	30-03077	30-01657	Yes
22	30-03078	30-01658	Yes
24	30-03079	30-01659	Yes
26	30-03080	30-01660	No
28	30-03081	30-01661	No
30	30-03082	30-01662	No
32	30-03083	30-01663	No



Front View  
Not to Scale



SECTION A-A



Revision:	Date:	Description:	Prepared:	Notes:	<h1>TENSILITY</h1> <p>tel 1.541.323.3228 800 877.670.7118 fax 1.541.323.4202 web tensility.com</p>
A	05/01/2024	Initial release	Verified:	RoHS compliant	
			Dimensions are in millimeters. Tolerances: X: ± 0.3 mm X.X: ± 0.1 mm X.XX: ± 0.05 mm	Function test: no open, no short circuit, no intermittent	
				Description: Connector, M12 A-code plug, 4 pin, 12xL56.8 mm, gold plated, assembly style, screw terminal, IP67, metal thread	
				Size: A	Part number: <b>55-00260</b>
				Scale: 1:1	Sheet 1 of 1