

Style

M12 Socket
4 pin
S-coding

Ratings

Voltage: 630 Vac
Current: 12 A

Operating Temperature Range

-40 ~ 105 °C

Materials

- ① Insulator: Polyamide 66 (PA66), UL94 HB, black
- ② Pin: C5191 Phosphor bronze, gold plated
- ③ Shell: C3604 brass, nickel plated
- ④ Hex nut: C3604 brass, nickel plated
- ⑤ O-ring: Silicone rubber
- ⑥ Epoxy: Epoxy resin

Electrical Requirements

Insulation resistance: 100 MΩ @ 500 Vdc
Contact resistance: 10 mΩ or less

Mechanical Requirements

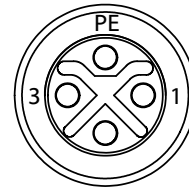
Life cycle: 500 mating cycles minimum

Environmental Requirements

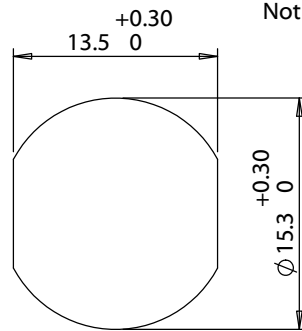
Satl spray test: 35 °C, relative humidity 90-95% NaCl mist for 48 hrs. Wash parts after test. Maintain mechanical requirements and a contact of less than 10mΩ
Waterproof: IP67

Assembly info

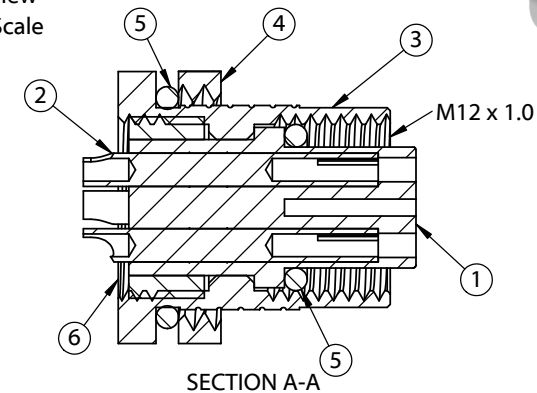
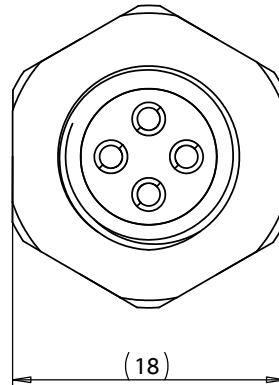
Wire gauge: 18 AWG max



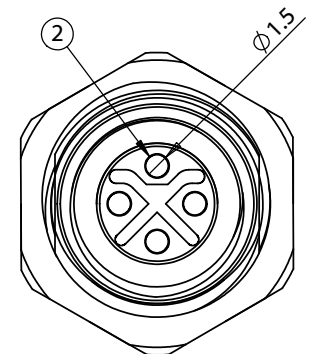
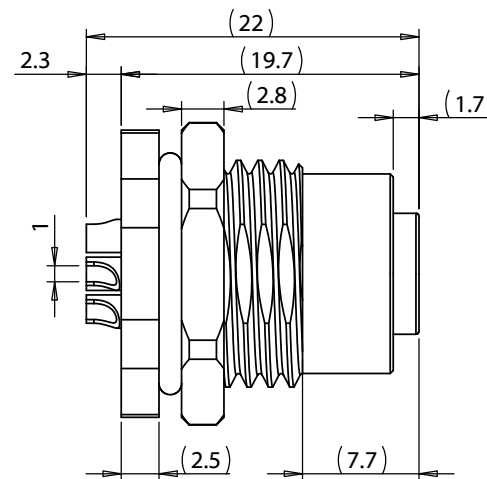
Front View
Not to Scale



Panel cutout (PG9)
Panel thickness (4.5mm max.)



SECTION A-A



Revision:	Date:	Description:	Prepared:	Notes:	TENSILITY tel 1.541.323.3228 800 877.670.7118 fax 1.541.323.4202 web tensility.com
A	03/12/2025	Initial release	Verified:	RoHS compliant Function test: no open, no short circuit, no intermittent	
			Dimensions are in millimeters. Tolerances: X: ± 0.3 mm X.X: ± 0.1 mm X.XX: ± 0.05 mm	Description: Connector, M12 S-code socket, 4 pin, 12xL22 mm, panel mount, solder cup, gold plated, IP67	Size: Part number: A 54-00434
					Scale: 2:1 Sheet 1 of 1