

**Ratings**

Voltage: 60 V  
 Temperature: -50~125 °C

**Conductor**

Conductor count: 3  
 Gauge: 16 AWG 1.31 mm<sup>2</sup>  
 Material: tinned copper strands  
 Strand size: Ø 0.28 mm x 19  
 Resistance at 20 °C: 18.3 Ω /km max

**Insulator**

Material: XLPE  
 Color: green, black, red  
 Diameter: 2.21 ±0.1 mm  
 Nominal thickness: 0.38 mm  
 Resistance at 20 °C: 0.75 MΩ /km min

**Filler**

Material: cotton rope

**Wrap**

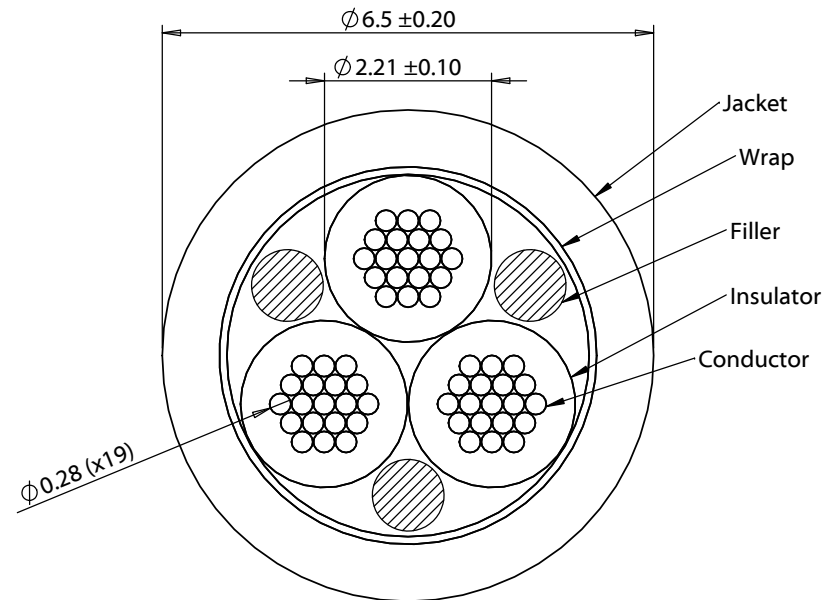
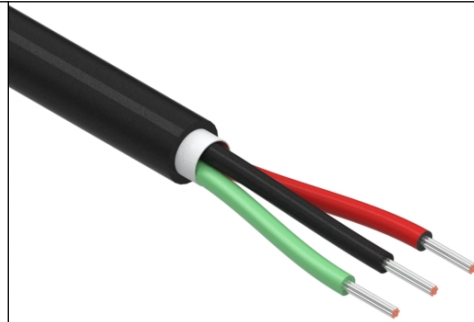
Material: PET

**Outer jacket**

Material: XLPE  
 Color: Black  
 Diameter: 6.5 ±0.2 mm  
 Nominal thickness: 0.81 mm

**Wire marking:** Tensility 16 AWG, TXL, 60V, 125C, XLPE

**Meets or exceeds the following standards:**  
 SAE J1128 Low Voltage Primary Cable



Revision:	Date:	Description:	Prepared:	Notes:	<b>TENSILITY</b> tel 1.541.323.3228 800 877.670.7118 fax 1.541.323.4202 web tensility.com
A	10/21/2025	Initial release	Verified:	RoHS compliant Function test: no open, no short circuit, no intermittent	
			Dimensions are in millimeters. Tolerances: X: ± 0.5 mm X.X: ± 0.3 mm X.XX: ± 0.05 mm	Description:	Size: Part number:
				Wire, 3C TS, 16 AWG, 60V, 125C, 6.5 mm, TXL, XLPE	A 30-03785
				Scale: 10:1	Sheet 1 of 1

5

4

3

2

1