

Ratings

Voltage: 600 V
 Temperature
 Static: -40~105 °C
 Dynamic: -20 ~ 105 °C
 Flammability: VW-1
 Water resistant: 75 °C
 Oil resistant: 100 °C (jacket), 96 hours
 ≥50% elongation and tensile strength after aging
 UV resistance: jacket, 720 hours xenon or carbon arc exposure
 ≥80% tensile strength and elongation after aging

Conductor

Conductor count: 4
 Gauge: 18 AWG 0.82 mm²
 Material: tinned copper strands
 Strand size: Ø 0.16 mm x 41
 Resistance at 20 °C: 23.2 Ω /km max

Insulator

Material: PVC
 Color: red, black, white, green
 Diameter: Ø2.1 ± 0.1mm
 Nominal thickness: 0.43 mm
 Resistance at 20 °C: 0.75 MΩ /km min

Wrap

Material: cotton paper

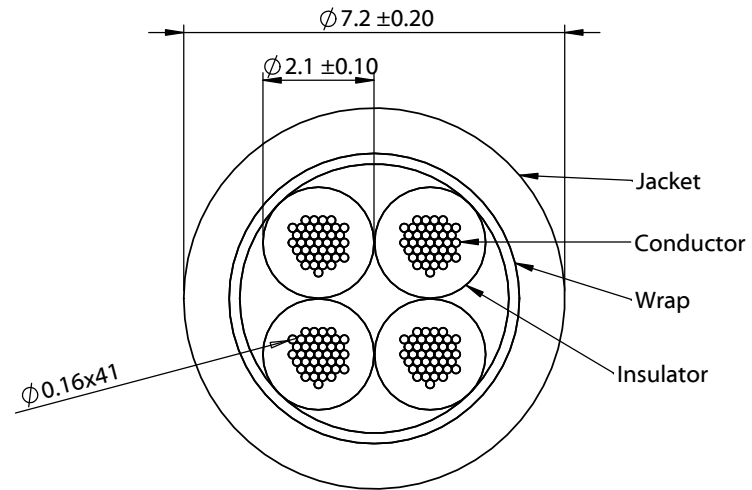
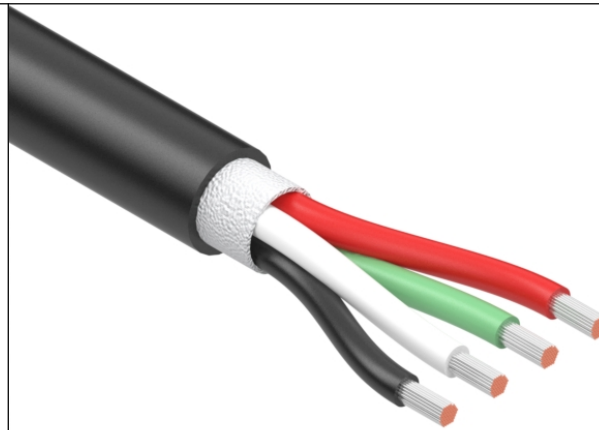
Outer jacket

Material: TPU (Polyether Polyurethane)
 Color: black
 Diameter: Ø7.2 ±0.20 mm
 Nominal thickness: 0.76 mm

Wire marking:

E339579 UL AWM STYLE 21767 18AWG 105°C 600V VW-1 --- cUL
 AWM II A 105°C 600V FT1 60°C OIL RESISTANT UV RESISTANT
 TENSILITY

Use: External wiring



Revision:	Date:	Description:	Prepared:	Notes:	<h1>TENSILITY</h1> <p>tel 1.541.323.3228 800 877.670.7118 fax 1.541.323.4202 web tensility.com</p>
A	03/28/2025	Initial release	Verified:	RoHS compliant	
			Dimensions are in millimeters.	Function: no open, no short circuit, no intermittent	
			Tolerances:	Description:	
			X: ± 0.5 mm X.X: ± 0.3 mm X.XX: ± 0.05 mm	Wire, 4C TS, 18 AWG, UL21765, 300V, 105C, 60C oil, UV, 7.2 mm, VW-1, TPU	
			Size: A Part number: 30-03525		Scale: 7:1
					Sheet 1 of 1

5

4

3

2

1