

**Materials**

C3604 Brass, gold plated

**Environmental Requirements**

Cold test: -25 ±3 °C for 48 hours without deformation

Heat test: 70 °C, relative humidity 70-85% for 96 hours without deformation

Humidity test: 40 °C, relative humidity 90-100% for 96 hours without deformation

Salt spray test: 35 °C, relative humidity 90-95%, 5% NaCl mist for 48 hrs. Wash parts after test. Maintain mechanical requirements and a contact resistance of less than 10 mΩ.

**Note**

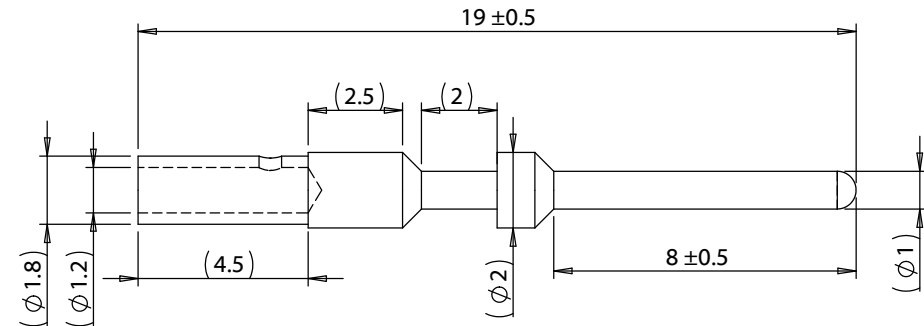
To be used with

55-00249

55-00250

55-00251

55-00252



Revision:	Date:	Description:	Prepared:	Notes: RoHS compliant Function test: no open, no short circuit, no intermittent	<h1>TENSILITY</h1> <p>tel 1.541.323.3228 800 877.670.7118 fax 1.541.323.4202 web tensility.com</p>	
A	12/16/2025	Initial release	Verified:			
			Dimensions are in millimeters. Tolerances: X: ± 0.3 mm X.X: ± 0.1 mm X.XX: ± 0.05 mm	Description:	Size:	Part number:
				Hardware, plug, pin, crimp 1xL19 mm, gold plated	A	56-00049
					Scale: 5:1	

5

4

3

2

1