

Materials

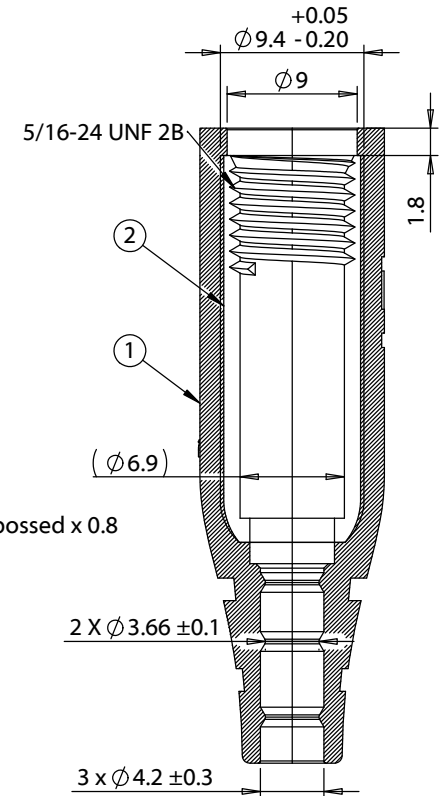
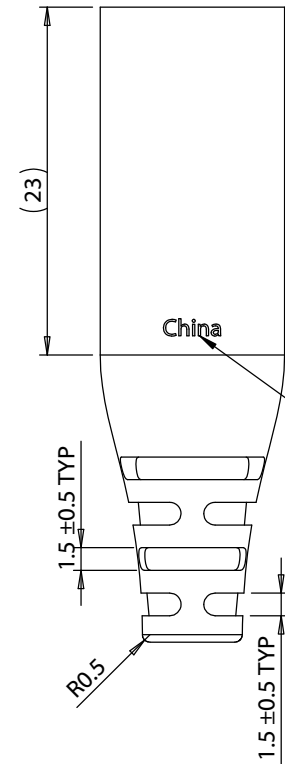
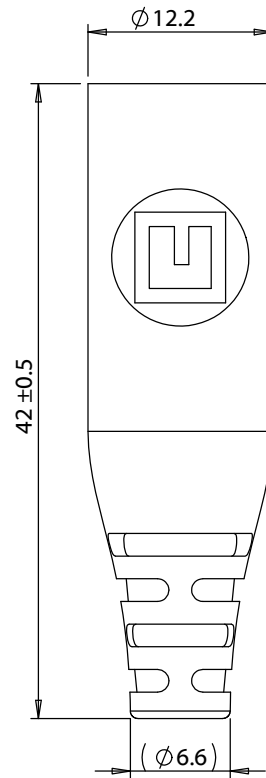
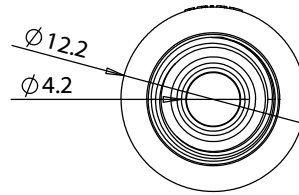
- ① Outer Sleeve, TPV, black
- ② inner Sleeve, POM, black

Operating Temperature Range

-20 ~ 80 °C

Assembly Info

Full connector assembly	Connector	Wire OD
55-00201	50-01076	3.9 - 4.5
55-00204	50-01077	3.9 - 4.5



Revision:	Date:	Description:
A	02/21/2025	Initial release

Prepared:
Verified:
Dimensions are in millimeters. Tolerances: X: $\pm 0.3 \text{ mm}$ X.X: $\pm 0.1 \text{ mm}$ X.XX: $\pm 0.05 \text{ mm}$

Notes:
RoHS compliant
Function test: no open, no short circuit, no intermittent
Description: Hardware, outer plastic sleeve, 3.9-4.5 mm, TPV

TENSILITY

tel 1.541.323.3228 800 877.670.7118
fax 1.541.323.4202 web tensility.com

Size:	Part number:
A	56-00034
Scale: 2:1	Sheet 1 of 1

5

4

3

2

1