

Materials

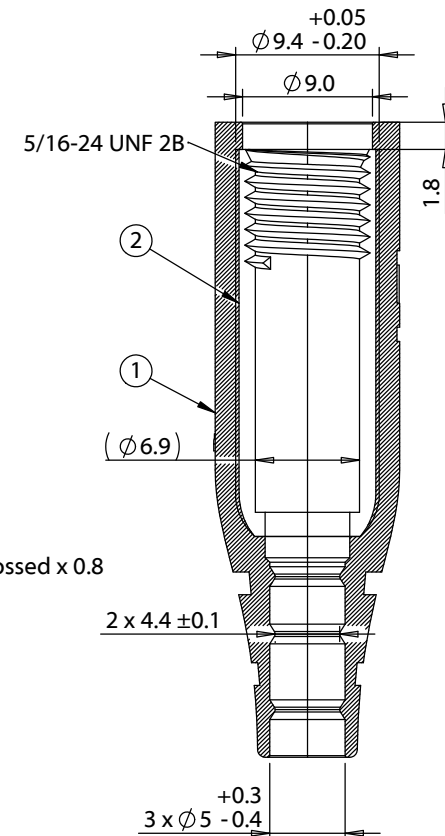
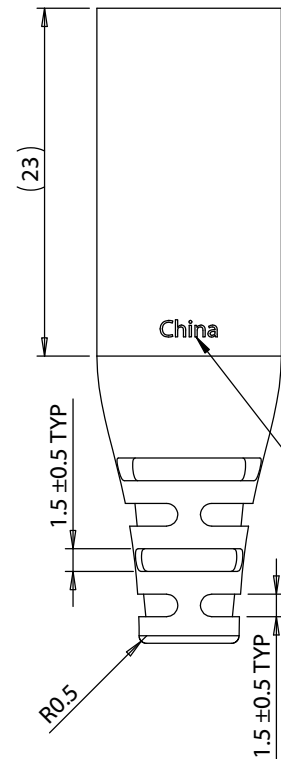
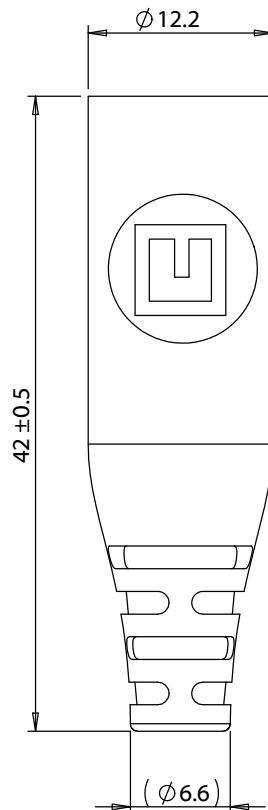
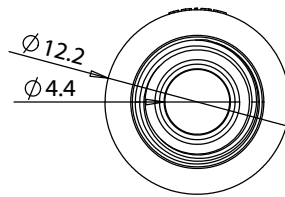
- ① Outer Sleeve, TPV, black
- ② inner Sleeve, POM, black

Operating Temperature Range

-20 ~ 80 °C

Assembly Info

| Full connector assembly | Wire OD | Connector |
|-------------------------|-----------|-----------|
| 55-00200 | 4.6 - 5.3 | 50-01076 |
| 55-00203 | 4.6 - 5.3 | 50-01077 |



| Revision: | Date: | Description: |
|-----------|------------|-----------------|
| A | 02/21/2025 | Initial release |
| | | |
| | | |
| | | |

Prepared:

Verified:

Dimensions are in millimeters.
 Tolerances:
 X: ± 0.3 mm
 X.X: ± 0.1 mm
 X.XX: ± 0.05 mm

Notes:

RoHS compliant

Function test: no open, no short circuit, no intermittent

Description:
 Hardware, outer plastic sleeve, 4.6-5.3 mm, TPV

TENSILITY

tel 1.541.323.3228 800 877.670.7118
 fax 1.541.323.4202 web tensility.com

| | |
|------------|-----------------------|
| Size: A | Part number: 56-00033 |
| Scale: 2:1 | Sheet 1 of 1 |