

Pin no.	Signal	Pin no.	Signal
A1	GND	B12	GND
A4	VBUS	B9	VBUS
A5	CC1	B8	SBU2
A6	DP1	B7	DN2
A7	DN1	B6	DP2
A8	SBU1	B5	CC2
A9	VBUS	B4	VBUS
A12	GND	B1	GND

PCB pad no.	Signal
C1	GND
C2	VBUS
C3	SBU2
C4	CC1
C5	DN2
C6	DP1
C7	DN1
C8	DP2
C9	SBU1
C10	CC2
C11	VBUS
C12	GND

Revision:	Date:	Description:
A	05/07/2026	Initial release

Prepared:	Notes:
Verified:	
Dimensions are in millimeters. Tolerances: X: ± 0.5 mm X.X: ± 0.3 mm X.XX: ± 0.05 mm	

RoHS compliant

Function test: no open, no short circuit, no intermittent

Description:  
Connector, USB C 2.0 jack, thru hole, SMT, vertical, nickel plated, IPX8

# TENSILITY

tel 1.541.323.3228 800 877.670.7118  
fax 1.541.323.4202 web tensility.com

Size:	Part number:
A	54-00566
Scale: 5:1	Sheet 1 of 2

**Ratings**

Voltage: 12 Vdc

Current: 5 A

**Operating Temperature Range**

-40 ~ 85 °C, relative humidity of 85% or less

**Materials**

- ① Insulator: PA10T + 30% GF, UL94 V-0, black
- ② Pin: C7025 Copper Alloy, 3u" gold plating
- ③ Shell: SUS304, nickel plating
- ④ Shell housing: LCP E1301, black
- ⑤ O-ring: silicon rubber, black
- ⑥ Epoxy: black

**Electrical Requirements**

Dielectric strength: 1 min @ 100 Vac

Insulation resistance: 100 MΩ min

Contact resistance: 40 mΩ or less

**Mechanical Requirements**

Insertion force: 6 ~ 20 N

Withdrawal force: 6 ~ 20 N

Life cycle: 10,000 mating cycles while maintaining less than 50mΩ contact resistance (terminal) and 100mΩ contact resistance (ground)

**Environmental Requirements**

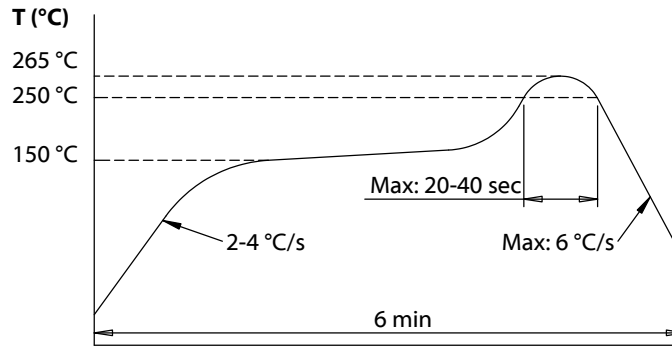
Ingress protection: IPX8, tested at 1.5 m for 30 minutes

**Packaging**

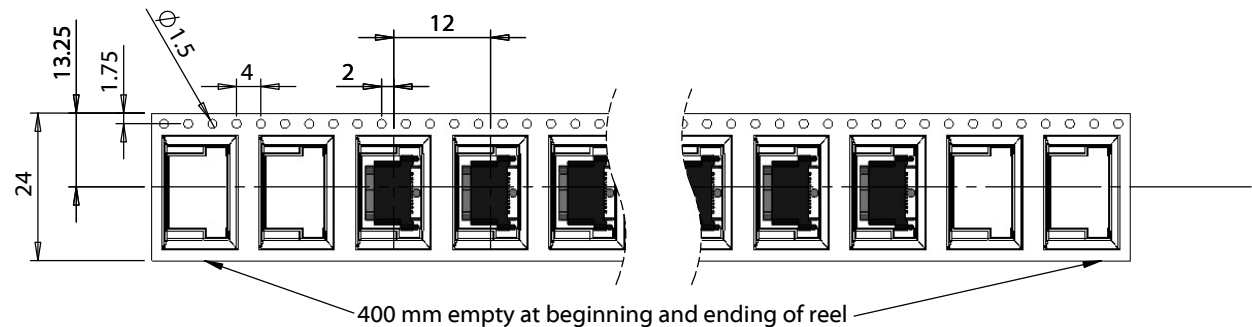
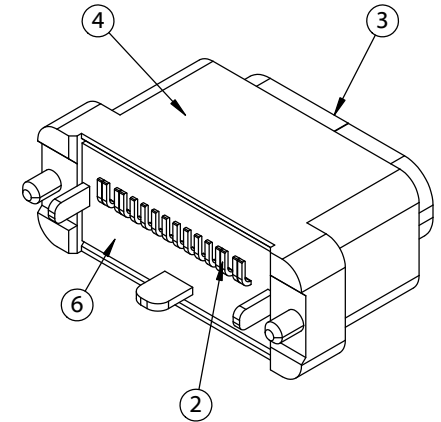
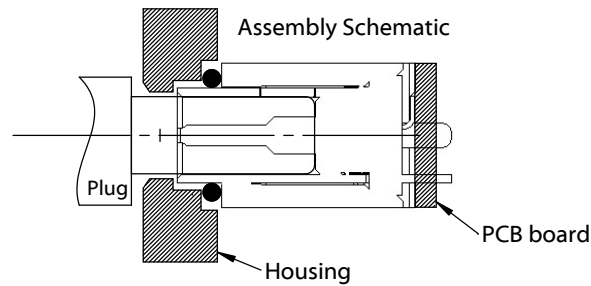
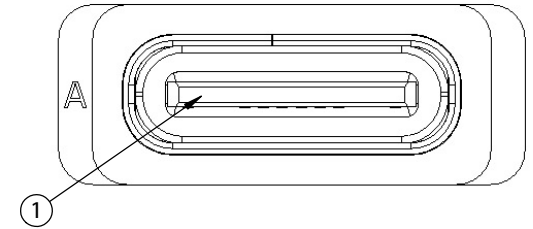
Tape and reel

500 pieces per reel

10 reels per carton



**Reflow soldering temperature profile**



Revision:	Date:	Description:	Prepared:	Notes:	<b>TENSILITY</b> tel 1.541.323.3228 800 877.670.7118 fax 1.541.323.4202 web tensility.com
A	05/07/2026	Initial release	Verified:		
			Dimensions are in millimeters. Tolerances: X: ± 0.5 mm X.X: ± 0.3 mm X.XX: ± 0.05 mm	Description:	Size: Part number: A 54-00566
				Connector, USB C 2.0 jack, thru hole, SMT, vertical, nickel plated, IPX8	Scale: 5:1  Sheet 2 of 2