

Ratings
 Voltage: 12 Vdc
 Current: 5 A

Operating Temperature Range
 -40 ~ 85 °C, relative humidity of 85% or less

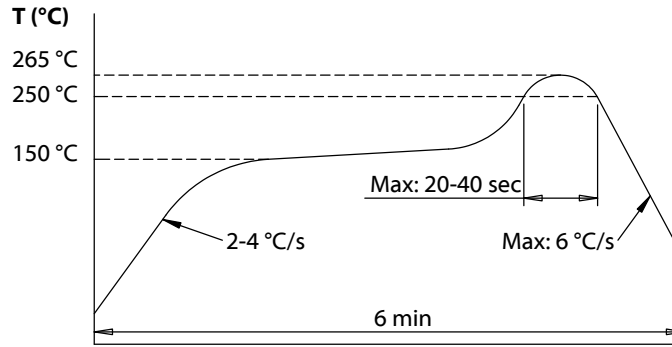
- Materials**
- ① Insulator: PA10T + 30% GF, UL94 V-0, black
 - ② Pin: C7025 Copper Alloy, 3u" gold plating
 - ③ Shell: SUS304, nickel plating
 - ④ O-ring: silicone rubber, white
 - ⑤ Epoxy: black

Electrical Requirements
 Dielectric strength: 1 min @ 100 Vac
 Insulation resistance: 100 MΩ min
 Contact resistance: 40 mΩ or less

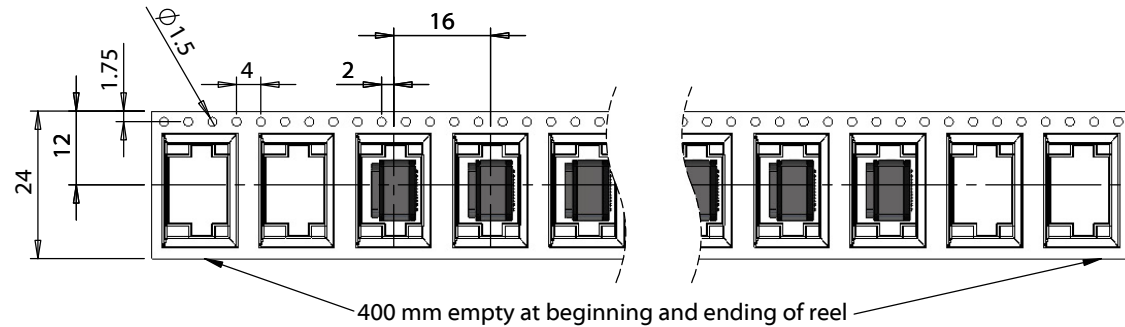
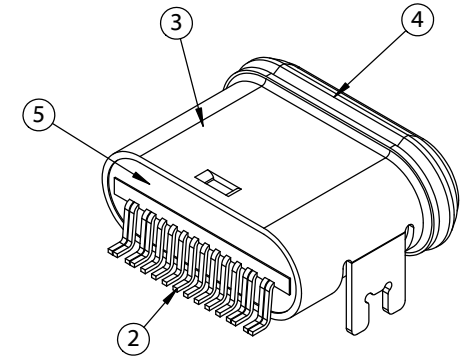
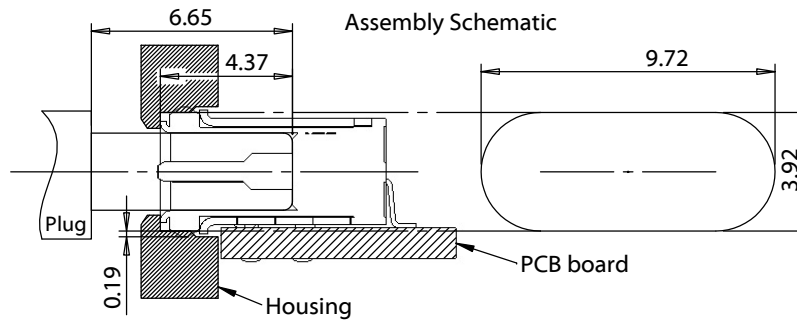
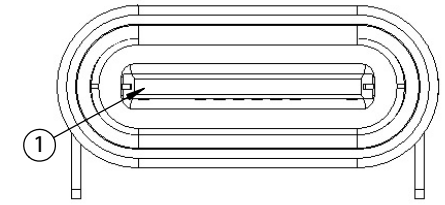
Mechanical Requirements
 Insertion force: 5 ~ 20 N
 Withdrawal force: 8 ~ 20 N
 Life cycle: 10,000 mating cycles while maintaining less than 50mΩ contact resistance (terminal) and 100mΩ contact resistance (ground)

Environmental Requirements
 Ingress protection: IPX8, tested at 1.5 m for 30 minutes

Packaging
 Tape and reel
 700 pieces per reel
 10 reels per carton



Reflow soldering temperature profile



Revision:	Date:	Description:	Prepared:	Notes:	TENSILITY tel 1.541.323.3228 800 877.670.7118 fax 1.541.323.4202 web tensility.com
A	05/07/2026	Initial release	Verified:	RoHS compliant Function test: no open, no short circuit, no intermittent	
			Dimensions are in millimeters. Tolerances: X: ± 0.5 mm X.X: ± 0.3 mm X.XX: ± 0.05 mm	Description: Connector, USB C 2.0 jack, thru hole, SMT, 90°, nickel plated, IPX8	Size: A Part number: 54-00565
					Scale: 5:1 Sheet 2 of 2