

Ratings

Voltage: 12 Vdc
Current: 5 A

Operating Temperature Range

-40 ~ 85 °C, relative humidity of 85% or less

Materials

- ① Insulator: PA10T + 30% GF, UL94 V-0, black
- ② Pin: C7025 phosphor bronze, 1u" gold plating
- ③ Insulator: PA10T + 30% GF, black
- ④ Contact: SUS304, nickel plating
- ⑤ Epoxy: black
- ⑥ O-ring: silicon rubber, clear

Electrical Requirements

Dielectric strength: 1 min @ 100 Vac
Insulation resistance: 100 MΩ min
Contact resistance: 40 mΩ or less

Mechanical Requirements

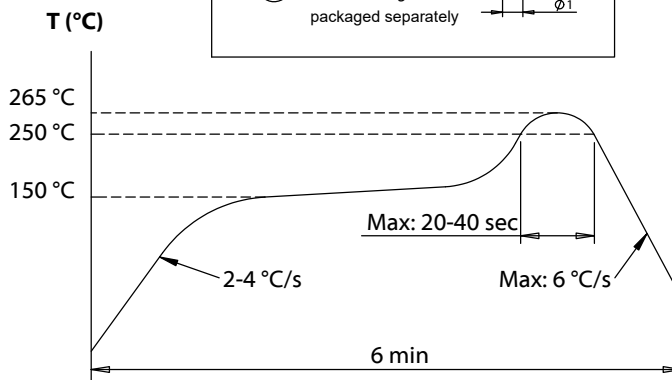
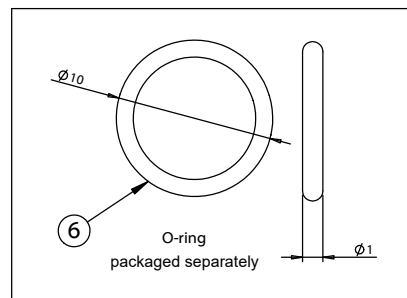
Insertion force: 10 ~ 35 N
Withdrawal force: 8 ~ 35 N
Life cycle: 1500 mating cycles while maintaining less than 50mΩ contact resistance (terminal) and 100mΩ contact resistance (ground)

Environmental Requirements

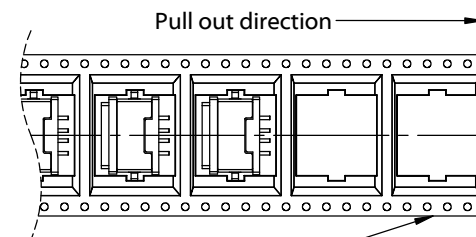
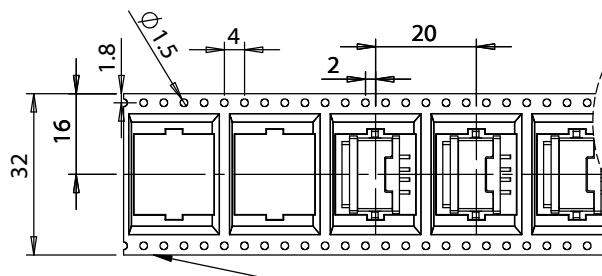
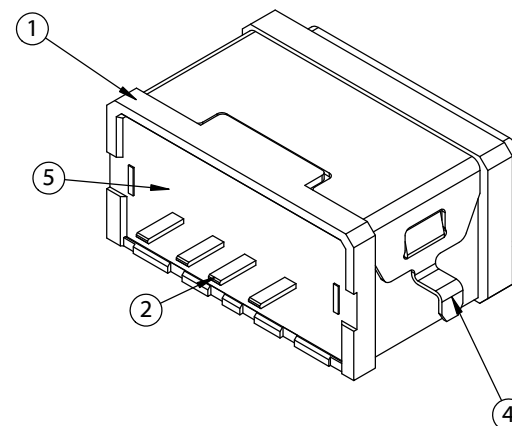
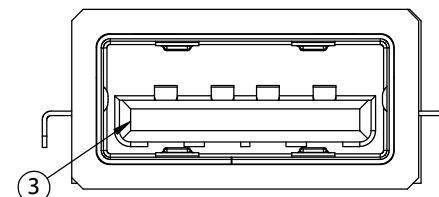
Ingress protection: IPX8, tested at 1.5 m for 30 minutes

Packaging

Tape and reel
400 pieces per reel
10 reels per carton



Reflow soldering temperature profile



150 mm empty at beginning and ending of reel

Revision:	Date:	Description:	Prepared:	Notes:	TENSILITY tel 1.541.323.3228 800 877.670.7118 fax 1.541.323.4202 web tensility.com
A	05/07/2026	Initial release	Verified:	RoHS compliant Function test: no open, no short circuit, no intermittent	
			Dimensions are in millimeters. Tolerances: X: ± 0.5 mm X.X: ± 0.3 mm X.XX: ± 0.05 mm	Description: Connector, USB A 2.0 jack, thru hole with cutout, 90°, nickel plated, IPX8	Size: A Part number: 54-00562
					Scale: 3:1 Sheet 2 of 2