

Style

M12 socket, flush panel mount
5 pin, A-coding

Ratings

Voltage: 60 V
Current: 4 A
Ingress protection: IP67

Operating Temperature Range

-40 ~ 105 °C, relative humidity of 85% or less

Materials

- ① Insulator: Nylon, PA66 + 33% GF, black
- ② Shell: C3771 brass, nickel plated
- ③ Pin: C3771 brass, gold plated
- ④ Nut: C3771 brass, nickel plated
- ⑤ O-ring: Silicone rubber
- ⑥ Epoxy: Epoxy resin

Electrical Requirements

Dielectric strength: 1 min @ 500 Vac
Insulation resistance: 100 MΩ @ 500 Vdc
Contact resistance: 10 mΩ or less

Mechanical Requirements

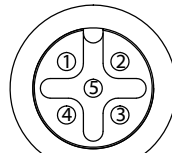
Life cycle: 500 mating cycles

Environmental Requirements

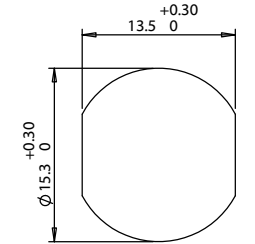
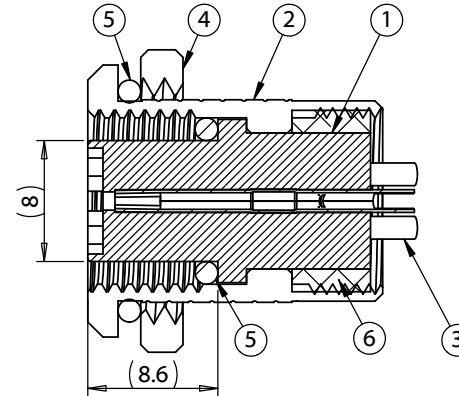
Salt spray test: 35 °C, relative humidity 90-95%, 5% NaCl mist for 48 hours

Compatibility

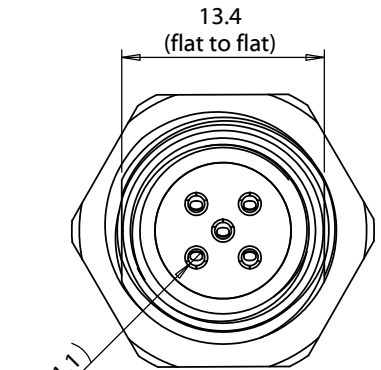
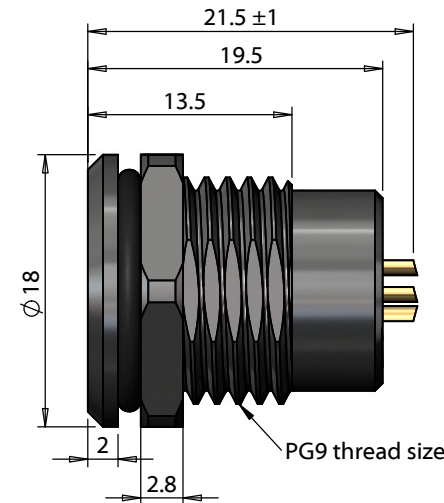
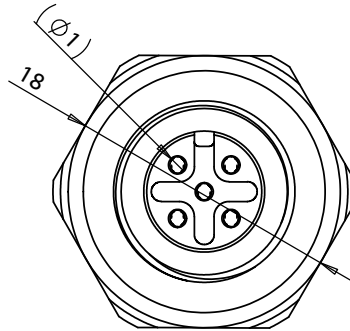
Maximum wire gauge: 22 AWG




Front View
Not to Scale



Panel cutout (PG9)
Panel thickness (7 mm max.)
Torque: 0.18 Nm



Back of Connector

Revision:	Date:	Description:	Prepared:	Notes:	<h1>TENSILITY</h1> tel 1.541.323.3228 800 877.670.7118 fax 1.541.323.4202 web tensility.com
A	03/27/2026	Initial release	Verified:	RoHS compliant Function test: no open, no short circuit, no intermittent	
			Dimensions are in millimeters. Tolerances: X: ± 0.3 mm X.X: ± 0.1 mm X.XX: ± 0.05 mm	Description: Connector, M12 A-code socket, 5 pin, 12xL21.5 mm, panel mount, solder cup, gold plated, IP67	Size: A Part number: 54-00551
					Scale: 2:1  Sheet 1 of 1