

Style

M8 socket, flush panel mount
8 pin, A-coding

Ratings

Voltage: 30 V
Current: 1.5 A
Ingress protection: IP67

Operating Temperature Range

-40 ~ 105 °C, relative humidity of 85% or less

Materials

- ① Insulator: Nylon, PA66 + 33% GF, black
- ② Shell: C3771 brass, nickel plated
- ③ Pin: C3771 brass, gold plated
- ④ Nut: C3771 brass, nickel plated
- ⑤ O-ring: Silicone rubber
- ⑥ Epoxy: Epoxy resin

Electrical Requirements

Dielectric strength: 1 min @ 500 Vac
Insulation resistance: 100 MΩ @ 500 Vdc
Contact resistance: 10 mΩ or less

Mechanical Requirements

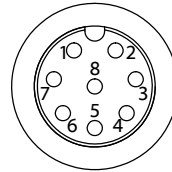
Life cycle: 500 mating cycles

Environmental Requirements

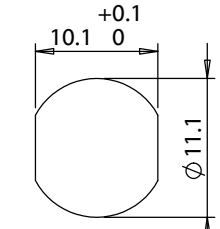
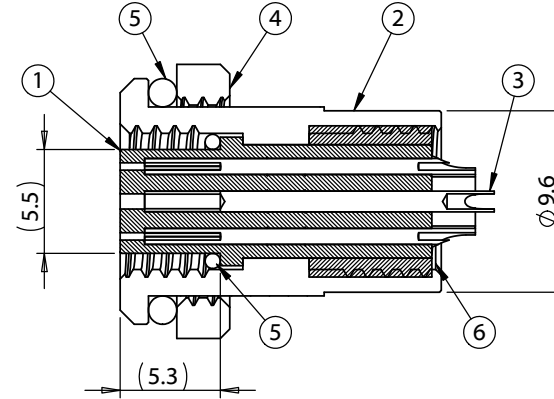
Salt spray test: 35 °C, relative humidity 90-95%, 5% NaCl mist for 48 hours

Compatibility

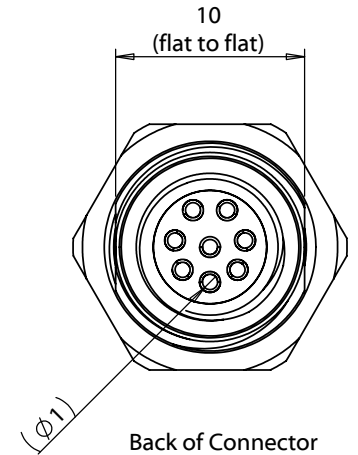
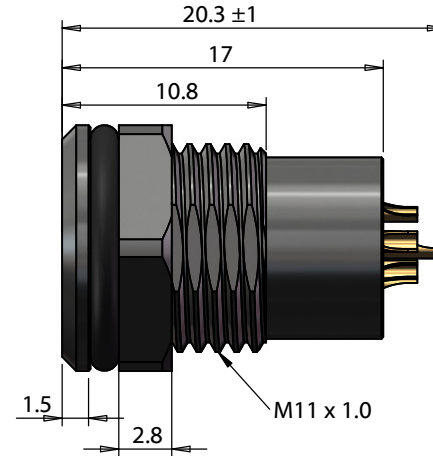
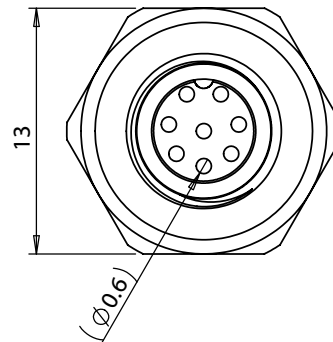
Maximum wire gauge: 26 AWG



Front View
Not to Scale



Panel cutout (M11)
Panel thickness (5mm max.)
Torque: 0.09 Nm



Back of Connector

Revision:	Date:	Description:
A	03/27/2026	Initial release

Prepared:	Notes:
	RoHS compliant
Verified:	Function test: no open, no short circuit, no intermittent
Dimensions are in millimeters. Tolerances: X: ± 0.3 mm X.X: ± 0.1 mm X.XX: ± 0.05 mm	Description: Connector, M8 A-code socket, 8 pin, 8xL20.3 mm, panel mount, solder cup, gold plated, IP67

TENSILITY

tel 1.541.323.3228 800 877.670.7118
fax 1.541.323.4202 web tensility.com

Size:	Part number:
A	54-00548
Scale: 5:2	Sheet 1 of 1