

Style

M8 socket, flush panel mount
3 pin, A-coding

Ratings

Voltage: 60 V
Current: 3 A
Ingress protection: IP67

Operating Temperature Range

-40 - 105 C°, relative humidity of 85% or less

Materials

- ① Insulator: Nylon, PA66 + 33% GF, black
- ② Shell: C3771 brass, nickel plated
- ③ Pin: C3771 brass, gold plated
- ④ Nut: C3771 brass, nickel plated
- ⑤ O-ring: Silicone rubber
- ⑥ Epoxy: Epoxy resin

Electrical Requirements

Dielectric strength: 1 min @ 500 Vac
Insulation resistance: 100 MΩ @ 500 Vdc
Contact resistance: 10 mΩ or less

Mechanical Requirements

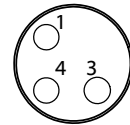
Life cycle: 500 mating cycles

Environmental Requirements

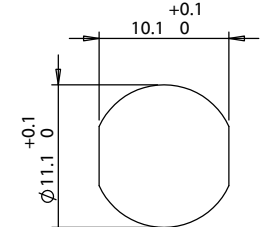
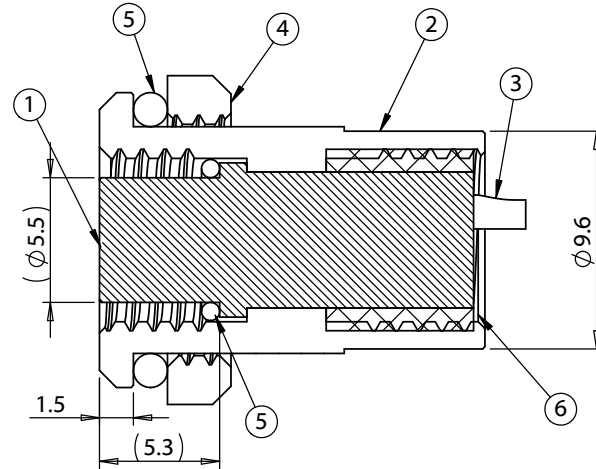
Salt spray test: 35 °C, relative humidity 90-95%, 5% NaCl mist for 48 hours

Compatibility

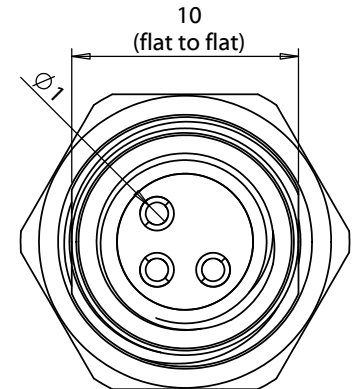
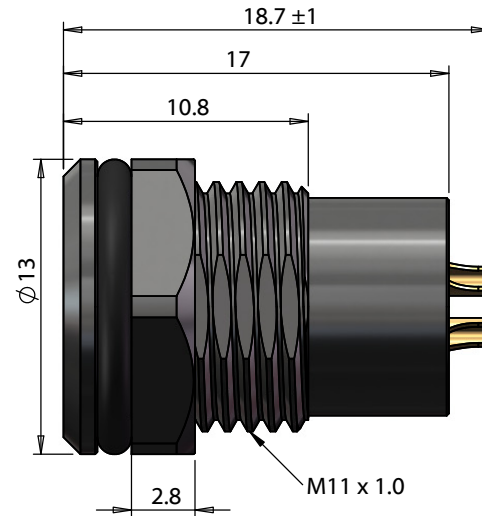
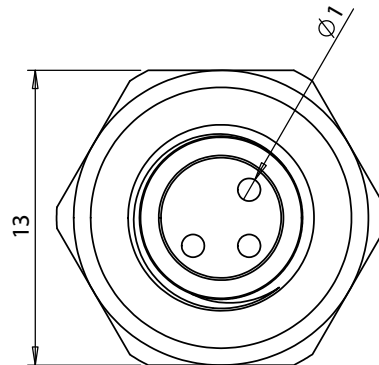
Maximum wire gauge: 24 AWG



Front View
Not to Scale



Panel cutout (M11)
Panel thickness (5mm max.)
Torque: 0.09 Nm



Back of Connector

Revision:	Date:	Description:	Prepared:	Notes:	<h1>TENSILITY</h1> <p>tel 1.541.323.3228 800 877.670.7118 fax 1.541.323.4202 web tensility.com</p>
A	03/27/2026	Initial release	Verified:	RoHS compliant	
			Dimensions are in millimeters. Tolerances: X: ± 0.3 mm X.X: ± 0.1 mm X.XX: ± 0.05 mm	Function test: no open, no short circuit, no intermittent	
				Description: Connector, M8 A-code socket, 3 pin, 8xL18.7 mm, panel mount, solder cup, gold plated, IP67	
				Size: A	Part number: 54-00545
				Scale: 3:1	Sheet 1 of 1