

Ratings:

Voltage: 48 V
 Current: 20 A, (not mated under load)
 Connector current ratings based on individual contact temperature rise (<30 °C)

Materials

- ① Insulator: PA10T +30% GF, UL94 V-0, black
- ② Center contact: C5210 Phosphor bronze, Gold flashing contact, Solder cup tin plated
- ③ Outer shell: SUS 304 Stainless steel, Nickel plated
- ④ Spring contacts: C7025 Copper Alloy, Nickel plated

Electrical Requirements

Dielectric strength: 1 min @ 500 Vac
 Insulation resistance: 100 MΩ @ 500 Vdc
 Contact resistance: 40 mΩ or less

Mechanical Requirements

Insertion force: 0.3 ~ 3 kgf
 Withdrawal force: 0.3 ~ 3 kgf
 Life cycle: 5000 mating cycles

Environmental Requirements

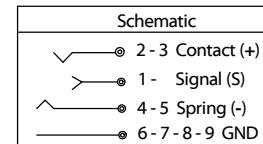
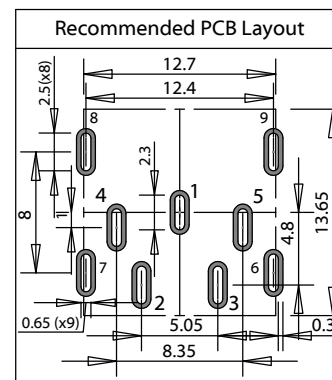
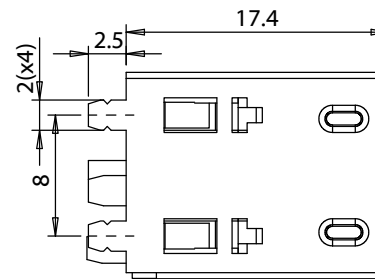
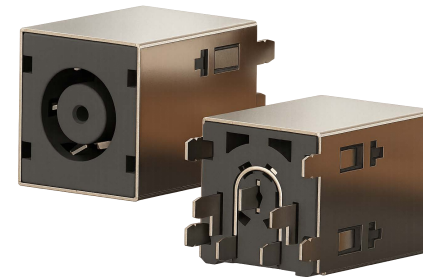
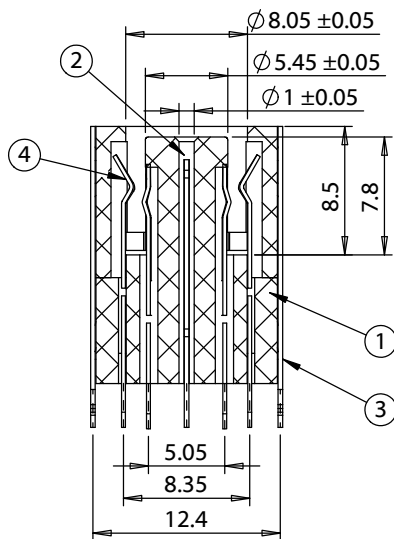
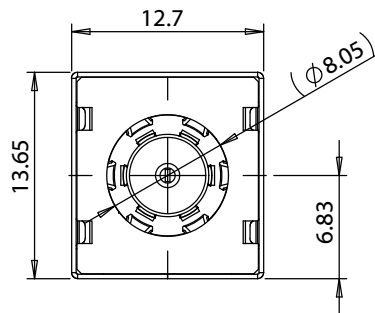
Cold test: -25 ± 3 °C for 48 hours without deformation
 Heat test: 70 °C, relative humidity 70 - 85 % for 96 hours while maintaining contact resistance: 100 mΩ or less, insulation resistance: 50 MΩ @ 500 Vdc, without looseness or deformation
 Humidity test: 30 °C, relative humidity 60 % for 168 hours without deformation
 Salt spray test: 35 °C, relative humidity 90 - 95 %, 5 % NaCl mist for 48 hrs. Wash parts after test. Maintain mechanical requirements and a contact resistance of less than 80 mΩ.

Operating Temperature Range

-40°C ~ 200 °C, relative humidity of 85 % or less

Mates with connector

50-01042



Revision:	Date:	Description:
A	11/06/2025	Initial release

Prepared:
Verified:
Dimensions are in millimeters. Tolerances: X: ± 0.5 mm X.X: ± 0.3 mm X.XX: ± 0.2 mm

Notes:
RoHS compliant
Halogen free
Description: Connector, dc jack, 7.9x5.6xL19.9 mm, thru hole, gold plated

TENSILITY

tel 1.541.323.3228 800 877.670.7118
 fax 1.541.323.4202 web tensility.com

Size:	Part number:
A	54-00431
Scale: 2:1	Sheet 1 of 1