

**Style**

Dc jack  
Sealed, thread lock  
IP68 (when mated)

**Materials**

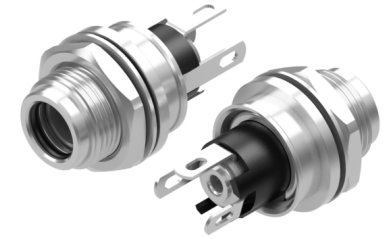
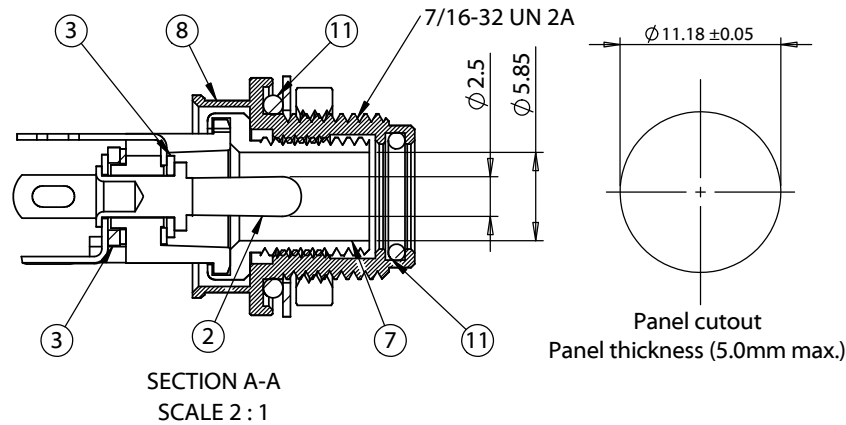
- ① Insulator, nylon + 15% glass fiber, UL94 V-0, black
- ② Center pin, C3604 brass, nickel plated
- ③ Insulation ring, fiberglass
- ④ Sleeve shunt, C2680 brass, nickel plated
- ⑤ Center pin terminal, C2680 brass, tin plated
- ⑥ Sleeve, C2680 brass, nickel plated
- ⑦ Inner shell, C3604 brass, nickel plated
- ⑧ Outer shell, C3604 brass, nickel plated
- ⑨ Flat washer, C3604 brass, nickel plated
- ⑩ Hex nut, C3604 brass, nickel plated
- ⑪ O-ring, nitrile rubber

**Assembly Info**

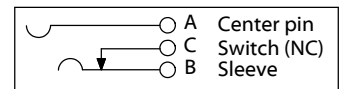
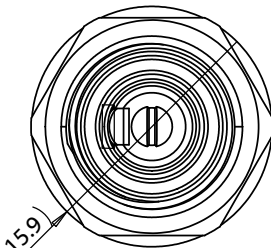
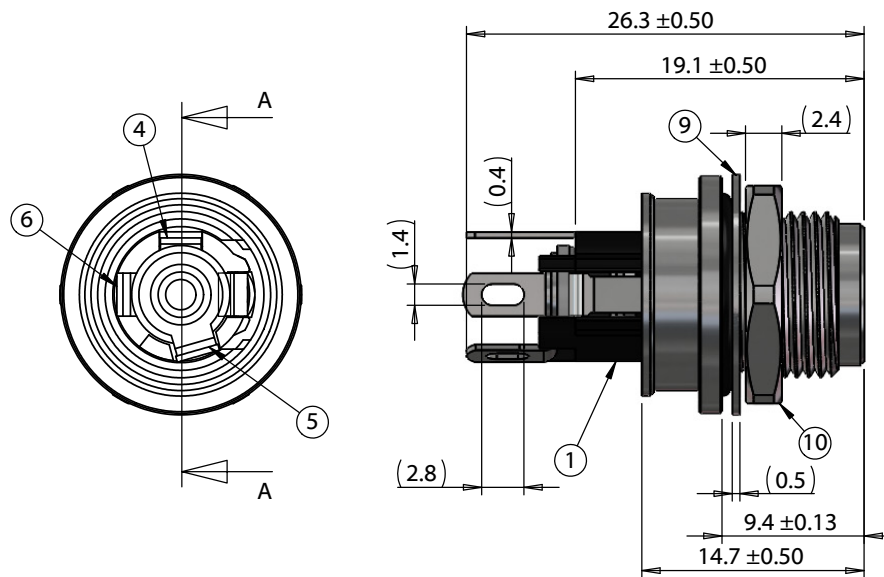
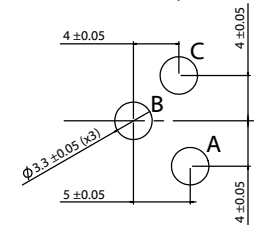
Wire gauge: 22 AWG max

**Mating connectors**

Assembly type	Wire OD
55-00203	4.6 - 5.3
55-00204	3.9 - 4.5
55-00205	3.2 - 3.8



**P.C.B. Layout**



Revision:	Date:	Description:
A	02/19/2025	Initial release

Prepared:

Verified:

Dimensions are in millimeters.  
Tolerances:  
X: ± 0.3 mm  
X.X: ± 0.1 mm  
X.XX: ± 0.05 mm

Notes:

RoHS compliant

Function test: no open, no short circuit, no intermittent

Description:  
Connector, dc jack, 5.5x2.5xL26.30 mm, panel mount, thru hole, solder eyelet, nickel plated, IP68, threaded, nut and washer

**TENSILITY**

tel 1.541.323.3228 800 877.670.7118  
fax 1.541.323.4202 web tensility.com

Size: A  
Part number: 54-00411  
Scale: 5:1  
Sheet 1 of 2

**Ratings**

Voltage: 48V  
Current: 10.5A

**Operating Temperature**

-40°C ~ 95°C

**Electrical Requirements**

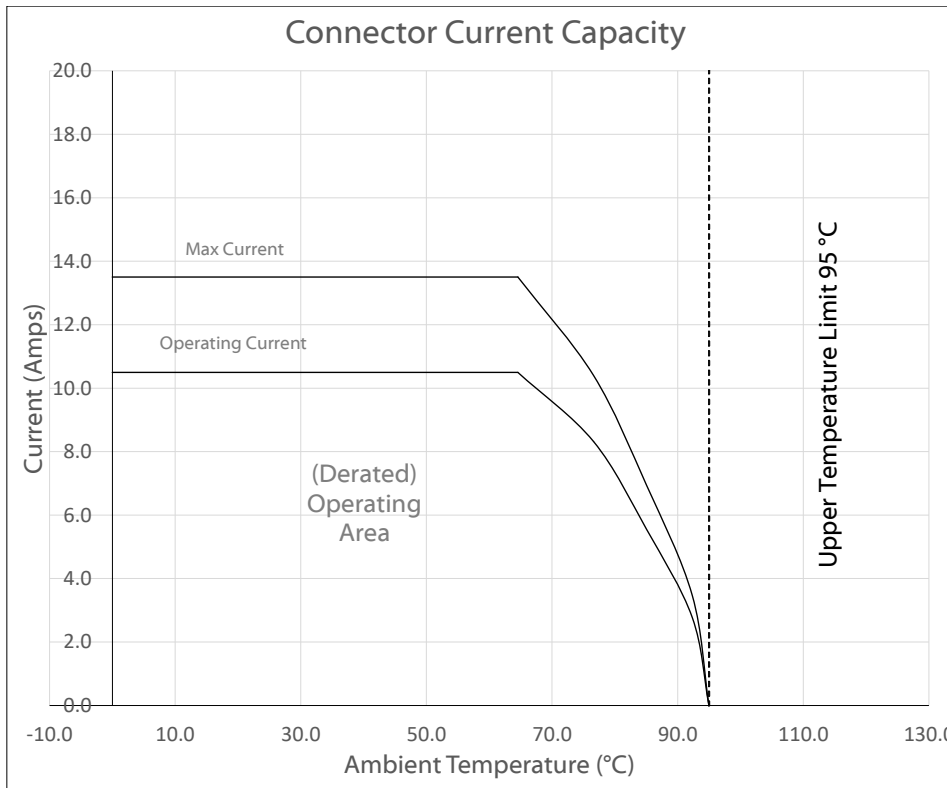
Dielectric strength: 1 min @ 500 Vac  
Insulation resistance: 100 MΩ @ 500 Vdc  
Contact resistance: 30 mΩ or less

**Mechanical Requirements**


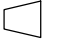
Life cycle: 5000 mating cycles minimum  
Insertion force: 0.3~4 kgf  
Withdrawal force: 0.3~4 kgf

**Environment Requirements**

Heat Test: 70±2°C, relative humidity 70-85% for 48 hours without deformation.  
Humidity Test: 40±2°C, relative humidity 90-95% for 48 hours without deformation.  
Salt spray test: 5% salt water (PH 6.5-7.2) for 48 hours without deformation.



Testing based on IEC 60512-5-2. Max current curve generated with isolated test article under controlled environmental conditions, and does not take into account external factors such as housings, mating cables, or other circuitry. Operating current curve (derated by 20% of maximum values) accounts for external factors, and manufacturing variation.

Revision:	Date:	Description:	Prepared:	Notes: RoHS compliant	<h1>TENSILITY</h1> <p>tel 1.541.323.3228 800 877.670.7118 fax 1.541.323.4202 web tensility.com</p>
A	02/19/2025	Initial release	Verified:		
			Dimensions are in millimeters. Tolerances: X: ± 0.3 mm X.X: ± 0.1 mm X.XX: ± 0.05 mm	Description: Connector, dc jack, 5.5x2.5xL26.30 mm, panel mount, thru hole, solder eyelet, nickel plated, IP68, threaded, nut and washer	Size: A
					Part number: 54-00411
					Scale: 2:1
					 
					Sheet 2 of 2