

Style

Dc plug
 Locking system
 IP68 (when assembled and mated)

Materials

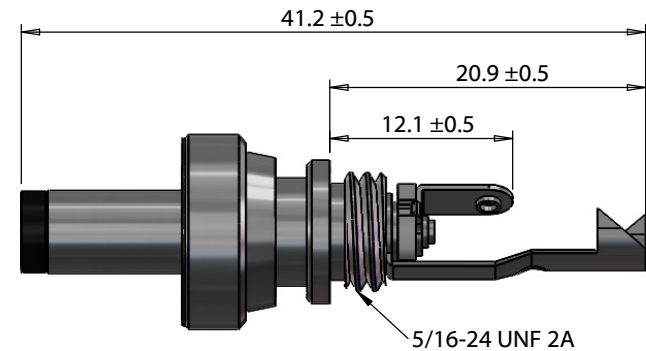
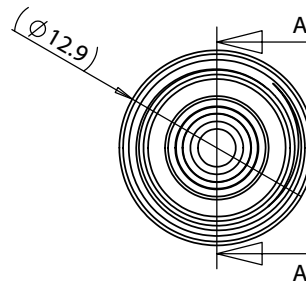
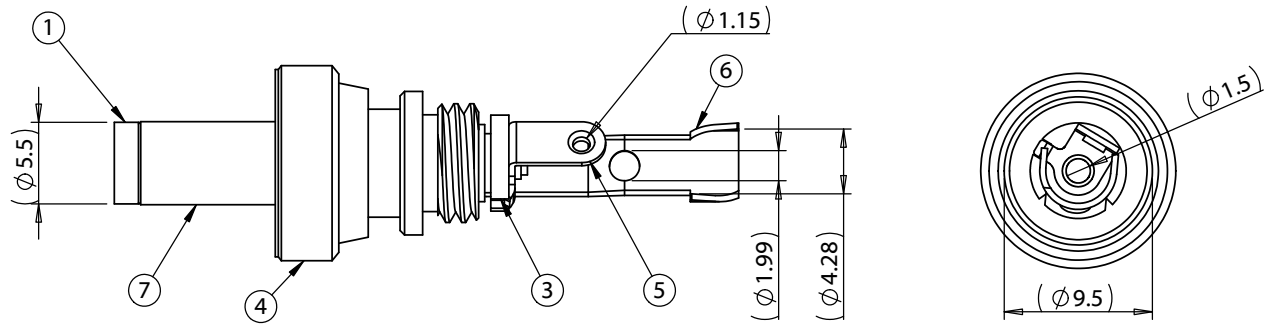
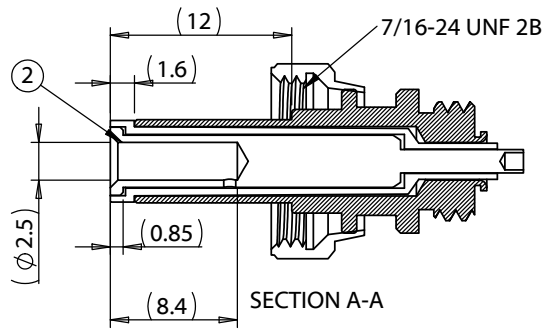
- ① Insulator, nylon + 15% glass fiber, UL94 V-0, black
- ② Center pin, C3604 brass, nickel plated
- ③ Insulation ring, fiberglass
- ④ Locking ring, C3604 brass, nickel plated
- ⑤ Center pin terminal, C2680 brass, tin plated
- ⑥ Cable clamp sleeve terminal, C2680 brass, tin plated
- ⑦ Outer shell, C3604 brass, nickel plated

Assembly Info

Compatible sleeves	Wire OD	Full connector assembly
56-00033	4.6 - 5.3	55-00203
56-00034	3.9 - 4.5	55-00204
56-00035	3.2 - 3.8	55-00205

Mating connectors

54-00411	Panel mount, thru hole, solder eyelet
54-00412	Panel mount, thru hole, pin
54-00413	Panel mount, thru hole, pin, 90°



Revision:	Date:	Description:
A	03/07/2025	Initial release

Prepared:

Verified:

Dimensions are in millimeters.
 Tolerances:
 X: ± 0.3 mm
 X.X: ± 0.1 mm
 X.XX: ± 0.05 mm

Notes:

RoHS compliant

Function test: no open, no short circuit, no intermittent

Description:
 Connector, dc plug, 5.5x2.5xL41.20 mm, locking style, brass nickel plated, IP68, threaded

TENSILITY

tel 1.541.323.3228 800 877.670.7118
 fax 1.541.323.4202 web tensility.com

Size: A Part number: 50-01077

Scale: 2:1 Sheet 1 of 2

Ratings

Voltage: 48V
Current: 9.5A

Operating Temperature

-40°C ~ 95°C

Electrical Requirements

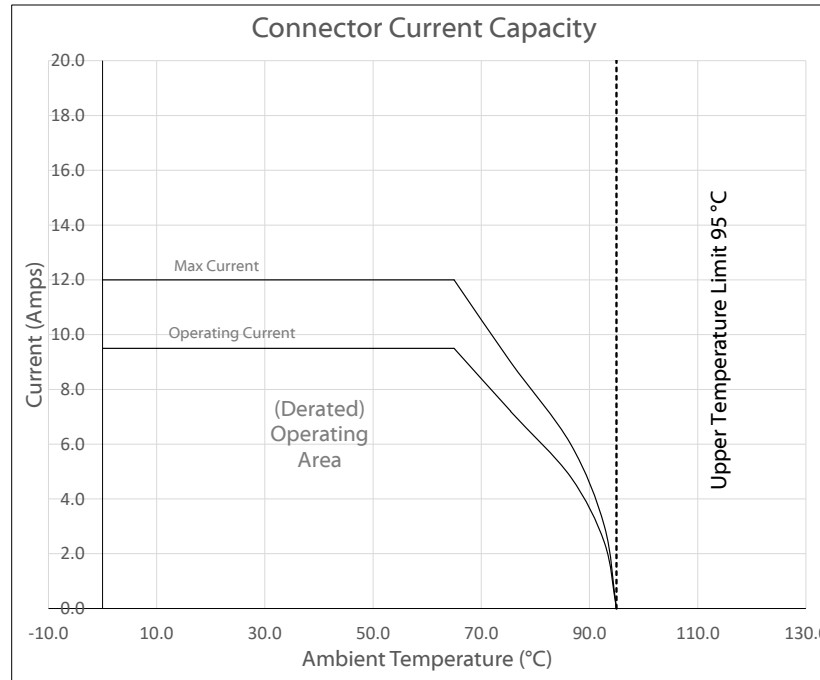
Dielectric strength: 1 min @ 500 Vac
Insulation resistance: 100 MΩ @ 500 Vdc
Contact resistance: 30 mΩ or less

Mechanical Requirements



Life cycle: 5000 mating cycles minimum
Insertion force: 0.3 - 4 kgf
Withdrawal force: 0.3 - 4 kgf

Environment Requirements

Heat Test: 70±2°C, relative humidity 70-85% for 48 hours without deformation.
Humidity Test: 40±2°C, relative humidity 90-95% for 48 hours without deformation.
Salt spray test: 5% salt water (PH 6.5-7.2) for 48 hours without deformation.



Testing based on IEC 60512-5-2. Max current curve generated with isolated test article under controlled environmental conditions, and does not take into account external factors such as housings, mating cables, or other circuitry. Operating current curve (derated by 20% of maximum values) accounts for external factors, and manufacturing variation.

Revision:	Date:	Description:	Prepared:	Notes: RoHS compliant	<h1>TENSILITY</h1> <p>tel 1.541.323.3228 800 877.670.7118 fax 1.541.323.4202 web tensility.com</p>
A	03/07/2025	Initial release	Verified:		
			Dimensions are in millimeters. Tolerances: X: ± 0.3 mm X.X: ± 0.1 mm X.XX: ± 0.05 mm	Description: Connector, dc plug, 5.5x2.5xL41.20 mm, locking style, brass nickel plated, IP68, threaded	Size: A
					Part number: 50-01077
					Scale: 2:1
					 
					Sheet 2 of 2