

Ratings

Voltage: 300 V
 Temperature: -40 ~ 80°C (static), -25 ~ 80°C (dynamic)
 Flammability: VW-1

Conductor

Conductor count: 3
 Gauge: 30 AWG, 0.05 mm²
 Material: tinned copper strands
 Strand size: $\varnothing 0.1$ (x 7) mm
 Resistance at 20 °C: 381 Ω /km max

Insulator

Material: PVC
 Color: black, red, white
 Diameter: $\varnothing 0.8 \pm 0.08$ mm
 Nominal thickness: 0.23 mm
 Resistance at 20 °C: 2.5 M Ω /kft min

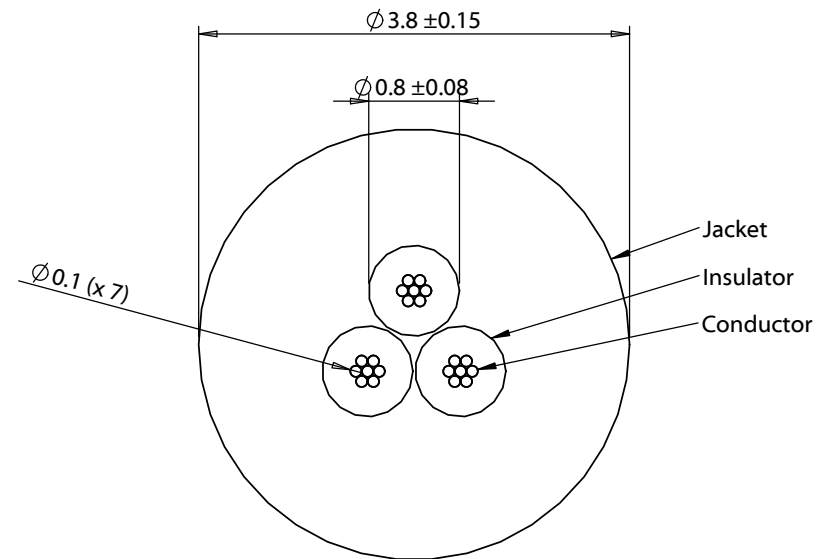
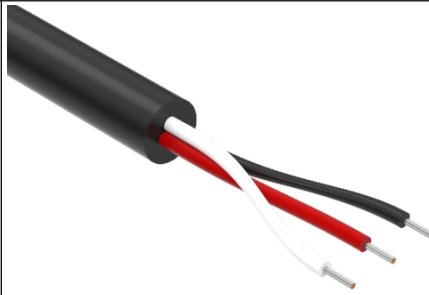
Outer jacket

Material: PVC
 Color: black
 Diameter: $\varnothing 3.8 \pm 0.15$ mm
 Nominal thickness: 0.76 mm

Wire marking: E339579 UL AWM STYLE 2464 30 AWG 80°C 300V VW-1 --- cUL AWM I/II A 80°C 300V FT1 TENSILITY

Tests

Jacket tensile strength: 1.05 kgf/mm²
 After aging at 113 ± 2 °C for 7 days:
 Minimum tensile strength 70 % original
 Minimum elongation 65 % original
 Heat shock: 121 ± 1 °C /1 hour, no observed degradation
 Deformation: 121 ± 1 °C /1 hour, ≤ 50 %
 Cold bend: -10 ± 2 °C /1 hour, no observed cracking
 Dielectric test: 2 kVac for 1 minute with no breakdown
 Bend radius: 30.4 mm (static), 45.6 mm (dynamic)



Revision:	Date:	Description:	Prepared:	Notes: RoHS and REACH compliant	TENSILITY tel 1.541.323.3228 800 877.670.7118 fax 1.541.323.4202 web tensility.com
A	06/17/2026	Initial release	Verified:		
			Dimensions are in millimeters. Tolerances: X: ± 0.5 mm X.X: ± 0.3 mm X.XX: ± 0.05 mm	Description:	Size: Part number:
				Wire, 3C TS, 30 AWG, UL2464, 300V, 80C, 3.8 mm, VW-1, PVC, black	A 30-03916
				Scale: 15:1	Sheet 1 of 1

5

4

3

2

1