

Ratings

Voltage: 300 V
 Temperature: -30~75°C (static). -20~75°C (dynamic)
 Flammability: FT6

Conductors

Gauge: 26 AWG 0.20 mm²
 Conductor: tinned copper strands
 Stranding: $\phi 0.16$ (x7)
 Conductor resistance at 20 °C: 150 Ω /km max

Insulation

Color: white-green / green
 Material: fluorinated ethylene propylene (FEP)
 Diameter: $\phi 1.4 \pm 0.10$ mm
 Nominal thickness: 0.43 mm
 Resistance at 20 °C: 2.5 M Ω /kft min

Shield

Type: tinned copper braid
 Stranding: $\phi 0.10$ mm, 65% minimum coverage

Wrap

Material: aluminum foil (facing out)

Outer jacket

Material: PVC, 90A
 Color: black
 Diameter: $\phi 4.5 \pm 0.35$ mm
 Nominal thickness: 0.50 mm

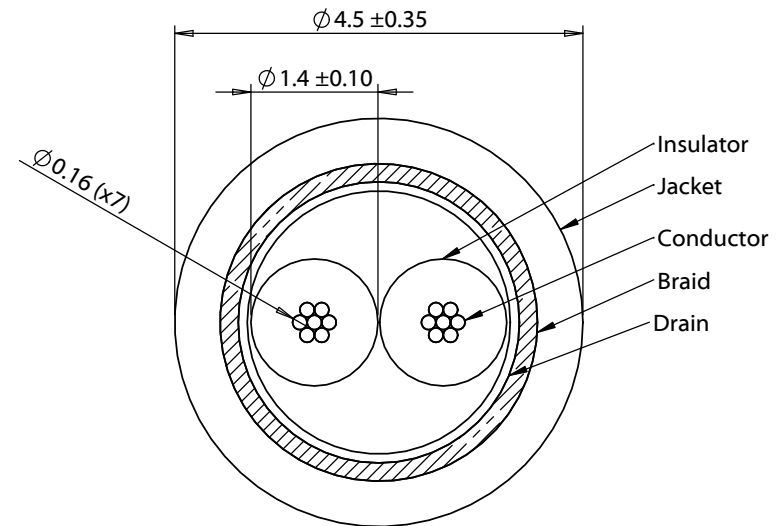
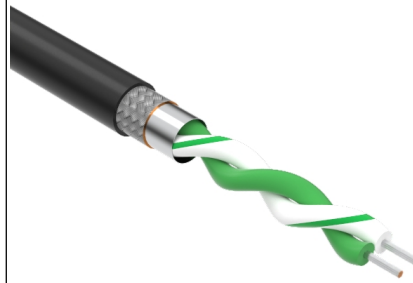
Jacket marking: E540825 UL STYLE CMP 75°C --- cUL CMP 75°C
 TENSILITY

Mechanical tests

Tensile strength: 13.8 MPa (jacket)
 Heat aging: Elongation 50% MIN; Tensile strength 75% MIN after aging at 100°C for 240 hrs
 Cold bend: no deformation after aging at -20°C for 4 hours
 Bend radius: 54 mm (Static), 67.5 mm (dynamic)

Electrical tests

Dielectric: 1.5 kV for 1 min, no breakdown
 Characteristic impedance: 100 \pm 15 Ω



Revision:	Date:	Description:	Prepared:	Notes:	TENSILITY tel 1.541.323.3228 800 877.670.7118 fax 1.541.323.4202 web tensility.com
A	03/24/2026	Initial release	Verified:	RoHS compliant Approved for use in plenums FT6 flammability rating	
			Dimensions are in millimeters. Tolerances: X: ± 0.5 mm X.X: ± 0.3 mm X.XX: ± 0.05 mm	Description:	Size: Part number:
				Wire, 2C, TS, 1PR 26 AWG, CMP, 300V, 75°C, 4.5 mm, shielded, PVC	A 30-03846
				Scale: 12:1	Sheet 1 of 1

5

4

3

2

1