

Ratings
 Voltage: 300 V
 Temperature: -30~75°C (static), -20~75°C (dynamic)
 Flammability: FT6

Conductors
 Gauge: 22 AWG 0.32 mm²
 Conductor: tinned copper strands
 Stranding: $\phi 0.15$ (x19)
 Conductor resistance at 20 °C: 59.4 Ω /km max

Insulation
 Color: white-blue / blue,
 white-orange / orange,
 white-green / green,
 white-brown / brown,
 Material: flourinated ethylene propylene (FEP)
 Diameter: $\phi 1.75 \pm 0.10$ mm
 Nominal thickness: 0.47mm
 Resistance at 20 °C: 2.5 M Ω /kft min

Shield
 Type: tinned copper braid
 Stranding: $\phi 0.10$ mm, 65% minimum coverage

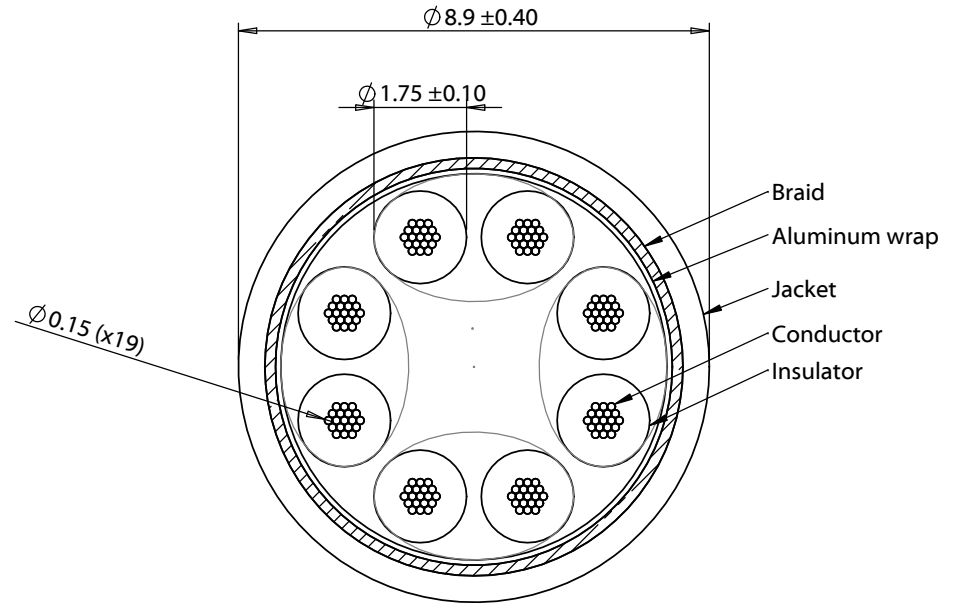
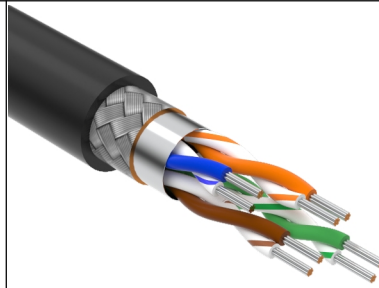
Wrap:
 Material: aluminum foil (facing out)

Outer jacket
 Material: PVC, 90A
 Color: black
 Diameter: $\phi 8.9 \pm 0.40$ mm
 Nominal thickness: 0.50 mm

Jacket marking: E540825 UL STYLE CMP 75°C --- cUL CMP 75°C TENSILITY

Mechanical tests
 Tensile strength: 13.8 MPa (jacket)
 Heat aging: Elongation 50% MIN; Tensile strength 75% MIN after aging at 100°C for 240 hrs
 Cold bend: no deformation after aging at -20°C for 4 hours
 Bend radius: 106.8 mm (Static), 133.5 mm (dynamic)

Electrical tests
 Dielectric: 1.5 kV for 1 min, no breakdown
 Characteristic impedance: 100 \pm 15 Ω



Revision:	Date:	Description:	Prepared:	Notes:	TENSILITY tel 1.541.323.3228 800 877.670.7118 fax 1.541.323.4202 web tensility.com
A	03/24/2026	Initial release	Verified:	RoHS compliant Approved for use in plenums FT6 flammability rating	
			Dimensions are in millimeters. Tolerances: X: ± 0.5 mm X.X: ± 0.3 mm X.XX: ± 0.05 mm	Description: Wire, 8C, TS, 4PR 22 AWG, CMP, 300V, 75°C, 8.9 mm, shielded, PVC	Size: Part number: A 30-03841
					Scale: 7:1 Sheet 1 of 1

5

4

3

2

1