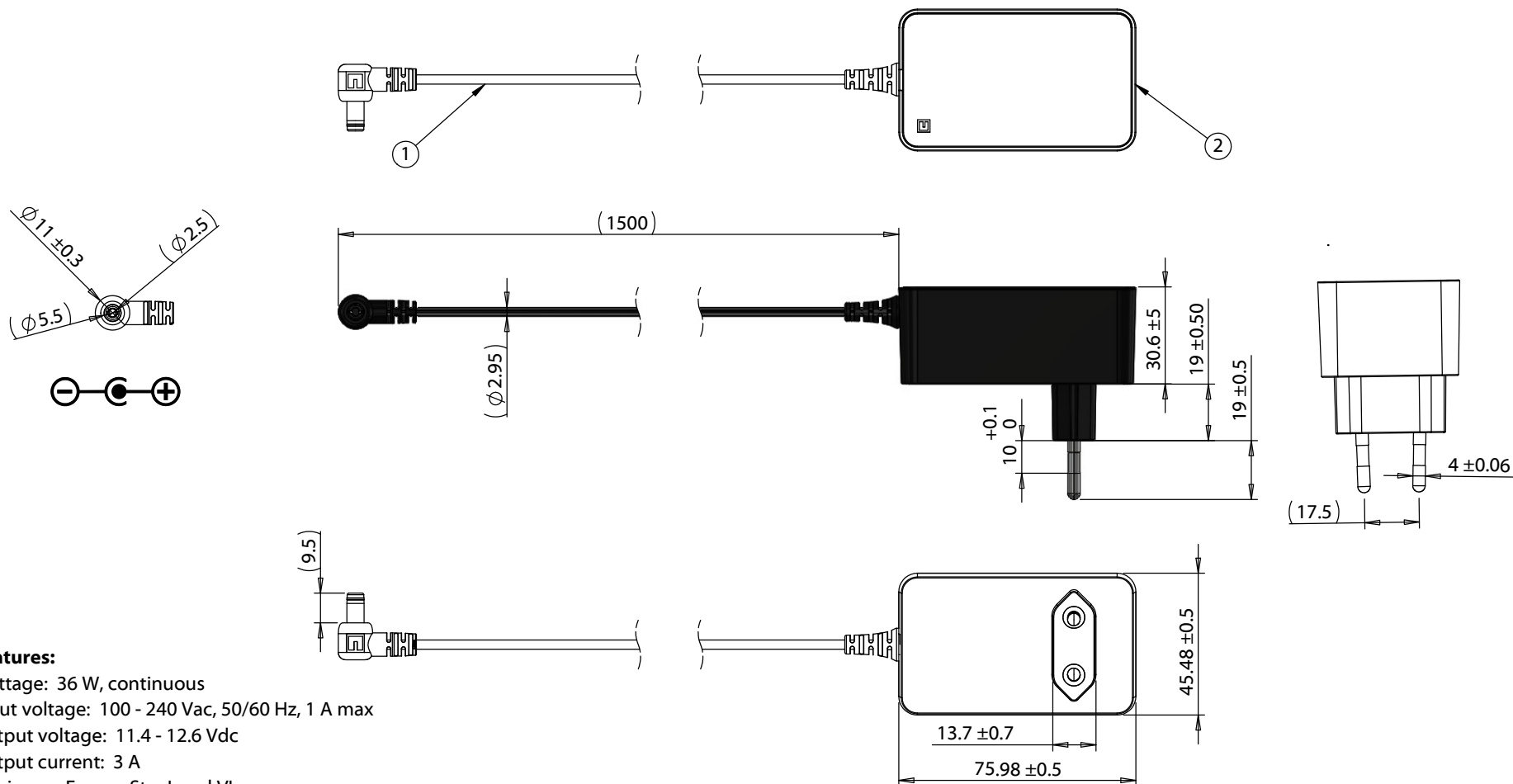


ITEM NO.	PART NUMBER	DESCRIPTION	QTY.	COMPONENT NOTES
1	10-03778	Cable, 1500 mm, 5.5x2.5x9.5 mm 50-00129 90° plug to stripped tinned, 20 AWG, 30-00338 wire	1	
2	26-00018	Case, wall mount, ac-dc power supply, 75.98x45.48x30.6 mm, CEE 7/16	1	



Features:

- Wattage: 36 W, continuous
- Input voltage: 100 - 240 Vac, 50/60 Hz, 1 A max
- Output voltage: 11.4 - 12.6 Vdc
- Output current: 3 A
- Efficiency: Energy Star Level VI
- Safety: EN62368-1

Revision:	Date:	Description:	Prepared:	Notes: RoHS & REACH compliant Approvals: CE VI	TENSILITY tel 1.541.323.3228 800 877.670.7118 fax 1.541.323.4202 web tensility.com
A	11/17/2025	Initial release	Verified:		
			Dimensions are in millimeters. Tolerances: X: ± 0.5 mm X.X: ± 0.3 mm X.XX: ± 0.05 mm		
				Description: Adapter, WP, 240V, EU, 2P, 12V, 3A, 5.5x2.5x9.5 mm 90° plug, 10-03778 cable, C+, Level VI	Size: A Part number: 16-00327
					Scale: 1:2 Sheet 1 of 2

5

4

3

2

1

