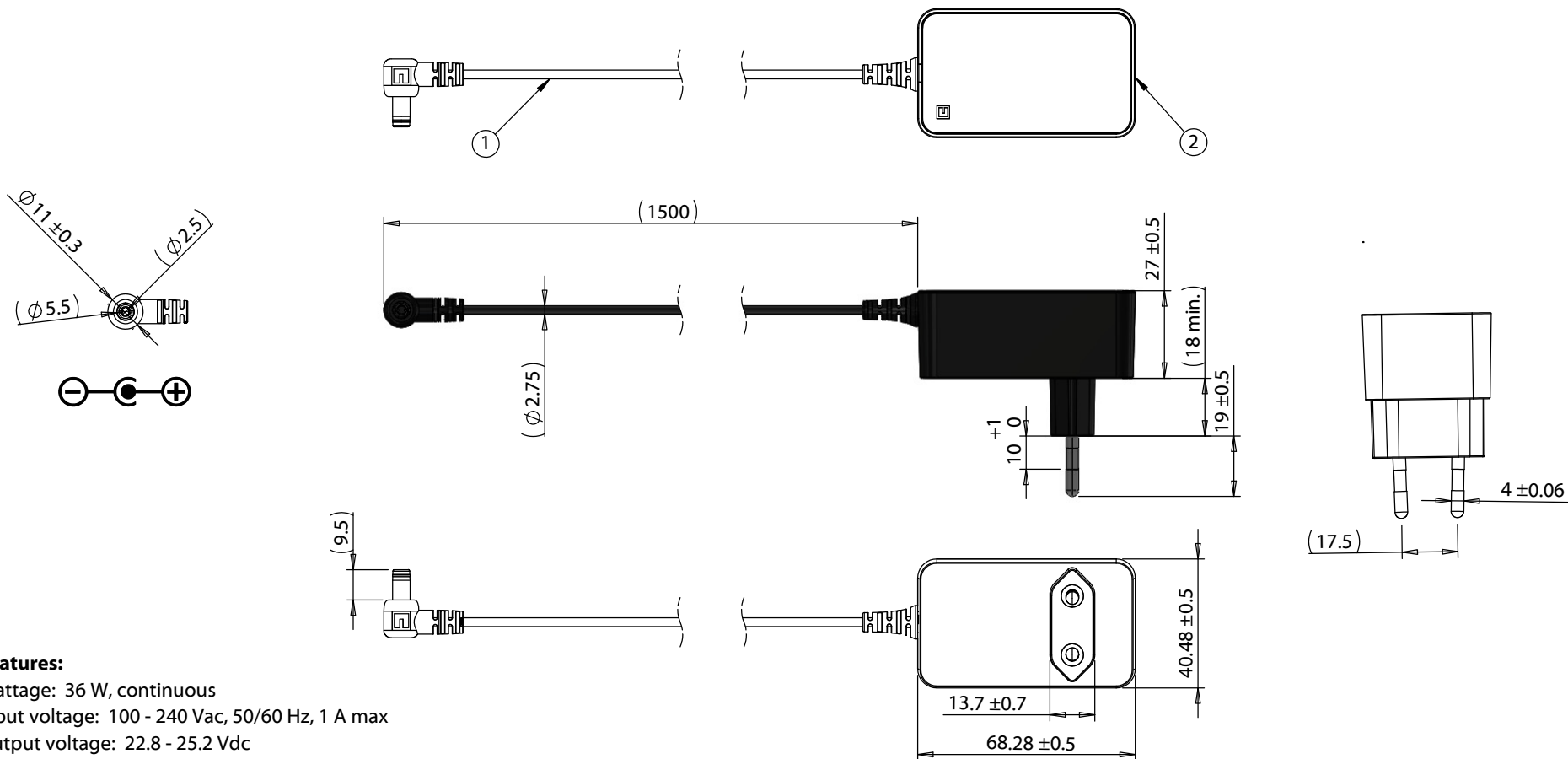


ITEM NO.	PART NUMBER	DESCRIPTION	QTY.	COMPONENT NOTES
1	10-03786	Cable, 1500 mm, 5.5x2.5x9.5 mm 50-00129 90° plug to stripped tinned, 22 AWG, 30-00341 wire	1	
2	26-00016	Case, wall mount, ac-dc power supply, 68.28x40.48x27 mm, CEE 7/16	1	



Features:

Wattage: 36 W, continuous
 Input voltage: 100 - 240 Vac, 50/60 Hz, 1 A max
 Output voltage: 22.8 - 25.2 Vdc
 Output current: 1.5 A
 Efficiency: Energy Star Level VI
 Safety: EN62368-1

Revision:	Date:	Description:	Prepared:	Notes: RoHS & REACH compliant Approvals: CE VI	TENSILITY tel 1.541.323.3228 800 877.670.7118 fax 1.541.323.4202 web tensility.com
A	11/17/2025	Initial release	Verified:		
			Dimensions are in millimeters. Tolerances: X: ± 0.5 mm X.X: ± 0.3 mm X.XX: ± 0.05 mm	Description: Adapter, WP, 240V, EU, 2P, 24V, 1500mA, 5.5x2.5x9.5 mm 90° plug, 10-03786 cable, C+, Level VI	Size: A
					Part number: 16-00319
					Scale: 1:2
					Sheet 1 of 2

5

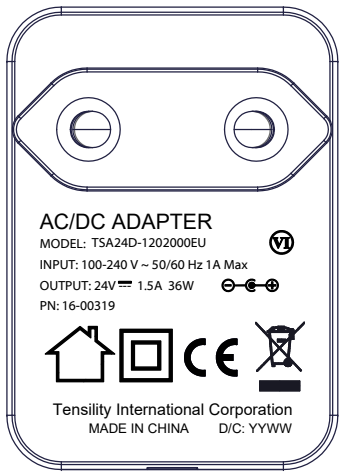
4

3

2

1

	Rating	Conditions
Input		
Input voltage	100 - 240 Vac	single phase
Frequency	50 - 60 Hz	
Steady ac current	1 A max	100 - 240 Vac
Inrush current	60 A max	240 Vac, cold start
Standby power	0.1 W max	115 or 230 Vac
Output		
No load output voltage	22.8 - 25.2 Vdc	
Full load output voltage	22.8 - 25.2 Vdc	1.5 A
Power	36 Watts continuous	all specified conditions
Ripple voltage	150 mV p-p at 2.4 A	20 MHz bandwidth oscilloscope, terminated with 0.1 μ F ceramic capacitor and 10 μ F electrolytic capacitor, 25 °C
Over current protection	110 - 200% of max load	
Short circuit protection	input power shutdown, auto-recovery after fault removed	output short
Reliability & Safety		
Leakage current	0.25 mA max	nominal ac input voltage and frequency
Burn-in test	2 hours	40 °C max at normal input voltage and rated load
Efficiency	Energy Star Level VI, 87.40% min	115 or 230 Vac
MTBF	50,000 hours min	MIL-HDBK-217F
Hi-Pot (primary to secondary)	3300 Vac, 5 mA max	3 seconds (production testing)
Hi-Pot (primary to secondary)	3000 Vac, 10 mA max	60 seconds (safety testing)
Insulation resistance	100 M Ω , primary to secondary	500 Vdc
Safety testing	EN62368	
EMC/EMI testing	EN55032, EN55035	
Mechanical		
Weight	152 \pm 10 g	
Environmental		
Operating temperature	0 to 40 °C	10 - 90% relative humidity
Storage temperature	-25 to 70 °C	5 - 95% relative humidity



Not to Scale

Revision:	Date:	Description:	Prepared:	Notes: RoHS & REACH compliant Approvals: CE VI
A	11/17/2025	Initial release	Verified:	
			Dimensions are in millimeters. Tolerances: X: \pm 0.5 mm X.X: \pm 0.3 mm X.XX: \pm 0.05 mm	Description: Adapter, WP, 240V, EU, 2P, 24V, 1500mA, 5.5x2.5x9.5 mm 90° plug, 10-03786 cable, C+, Level VI

TENSILITY

tel 1.541.323.3228 800 877.670.7118
fax 1.541.323.4202 web tensility.com

Size:	Part number:
A	16-00319
Scale: 1:2	Sheet 2 of 2