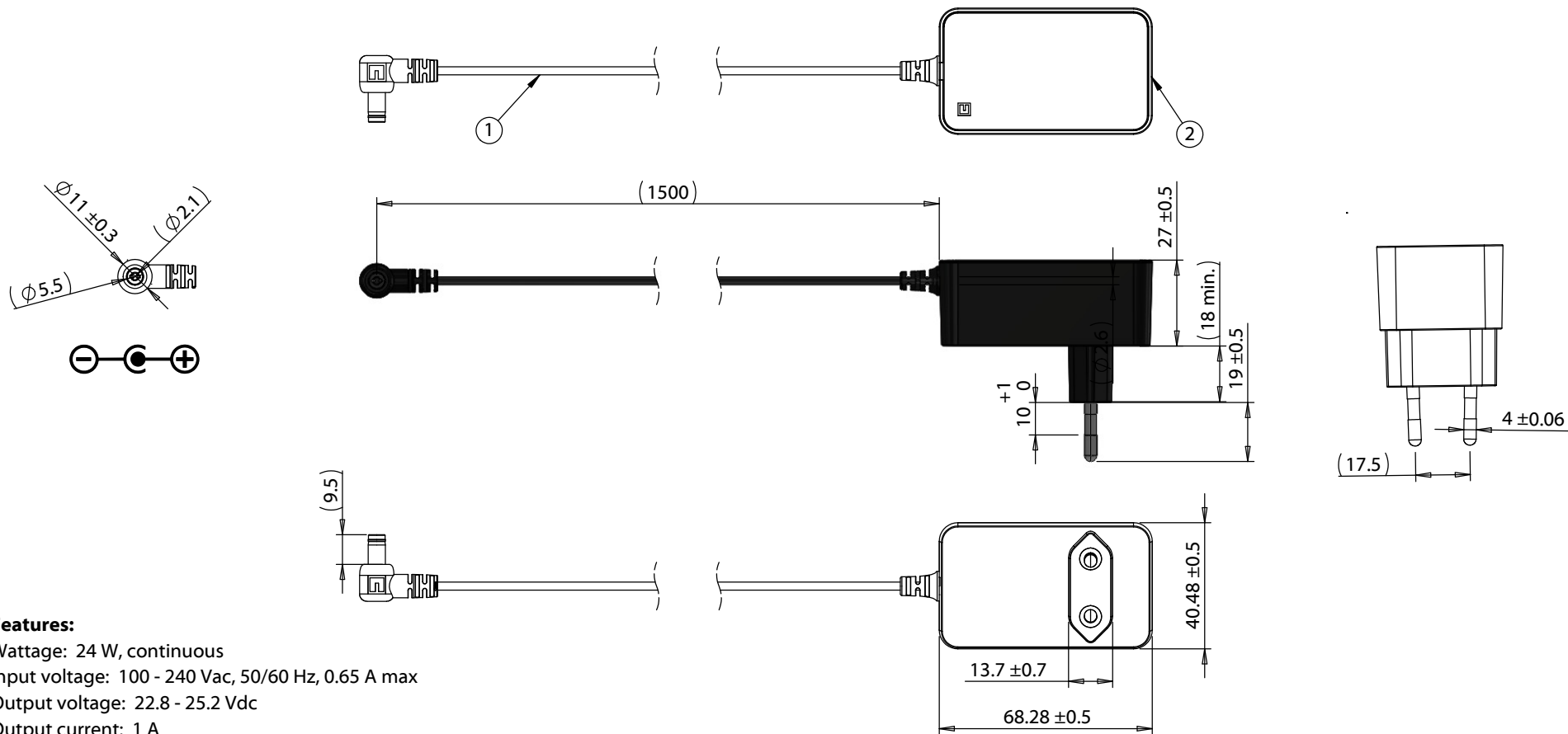


ITEM NO.	PART NUMBER	DESCRIPTION	QTY.	COMPONENT NOTES
1	10-03172	Cable, 1500 mm, 5.5x2.1x9.5 mm 50-00133 90° plug to stripped tinned, 24 AWG, 30-00344 wire	1	
2	26-00016	Case, wall mount, ac-dc power supply, 68.28x40.48x27 mm, CEE 7/16	1	



Features:

Wattage: 24 W, continuous
 Input voltage: 100 - 240 Vac, 50/60 Hz, 0.65 A max
 Output voltage: 22.8 - 25.2 Vdc
 Output current: 1 A
 Efficiency: Energy Star Level VI
 Safety: EN62368-1

Revision:	Date:	Description:	Prepared:	Notes: RoHS & REACH compliant Approvals: CE VI	TENSILITY tel 1.541.323.3228 800 877.670.7118 fax 1.541.323.4202 web tensility.com
A	11/17/2025	Initial release	Verified:		
			Dimensions are in millimeters. Tolerances: X: ± 0.5 mm X.X: ± 0.3 mm X.XX: ± 0.05 mm		
				Description: Adapter, WP, 240V, EU, 2P, 24V, 1A, 5.5x2.1x9.5 mm 90° plug, 10-03172 cable, C+, Level VI	Size: A Part number: 16-00313
					Scale: 1:2 Sheet 1 of 2

5

4

3

2

1

