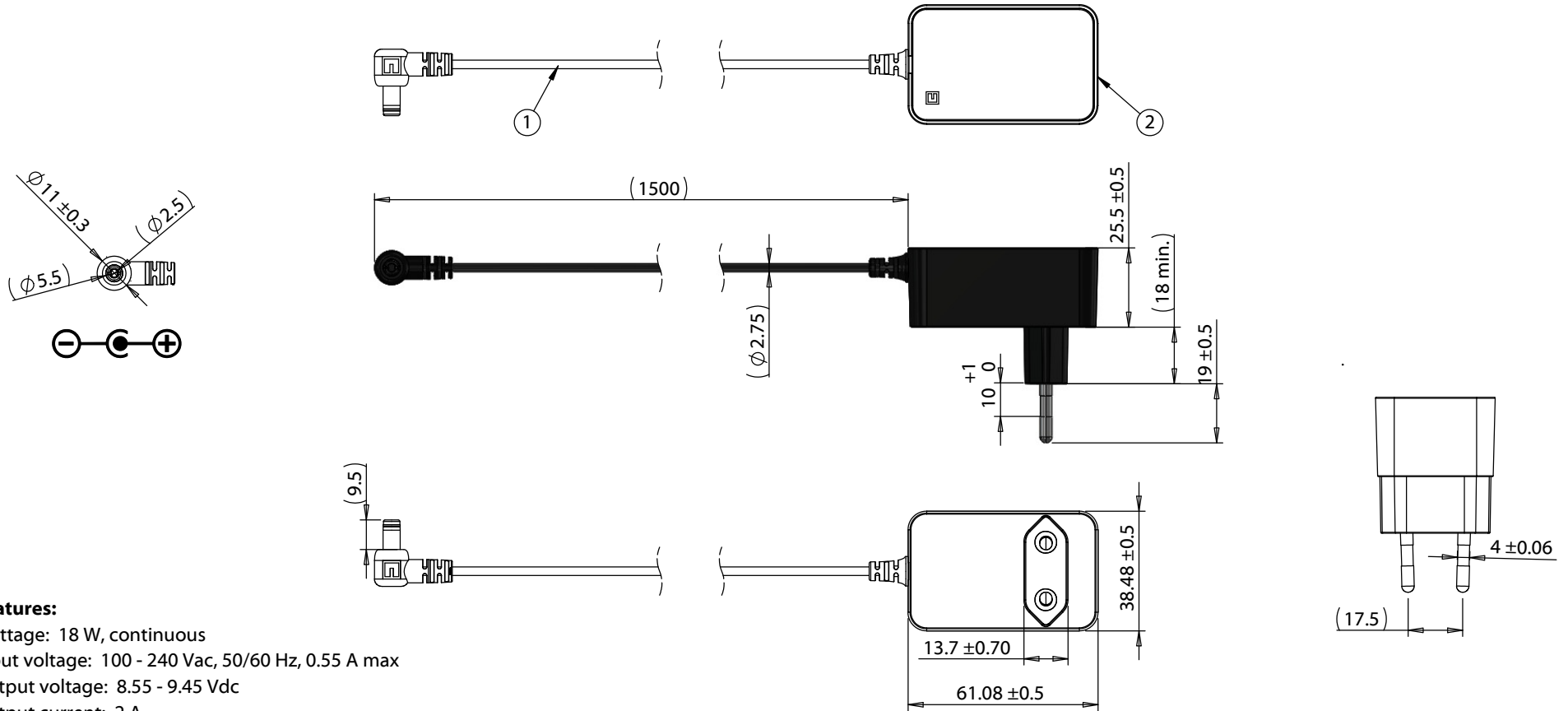


| ITEM NO. | PART NUMBER | DESCRIPTION | QTY. | COMPONENT NOTES |
|----------|-------------|--|------|-----------------|
| 1 | 10-06529 | Cable, 1500 mm, 5.5x2.5x9.5 mm 50-00129 90° plug to 30 mm stripped tinned, 22 AWG, 30-00341 wire | 1 | |
| 2 | 26-00015 | Case, wall mount, ac-dc power supply, 61.08X38.48X25.5 mm, CEE 7/16 | 1 | |



Features:

Wattage: 18 W, continuous
 Input voltage: 100 - 240 Vac, 50/60 Hz, 0.55 A max
 Output voltage: 8.55 - 9.45 Vdc
 Output current: 2 A
 Efficiency: Energy Star Level VI
 Safety: EN62368-1

| | | | | | | | |
|-----------|------------|-----------------|--|--|--|------------|--------------------------|
| Revision: | Date: | Description: | Prepared: | Notes: RoHS & REACH compliant Approvals: | tel 1.541.323.3228 800 877.670.7118 fax 1.541.323.4202 web tensility.com | | |
| A | 11/17/2025 | Initial release | Verified: | | | | |
| | | | Dimensions are in millimeters. Tolerances: X: ± 0.5 mm X.X: ± 0.3 mm X.XX: ± 0.05 mm | | Description: Adapter, WP, 240V, EU, 2P, 9V, 2A, 5.5x2.5x9.5 mm 90° plug, 10-06533 cable, C+, Level VI | Size: A | Part number: 16-00307 |
| | | | | | Scale: 1:2 | | Sheet 1 of 2 |

5

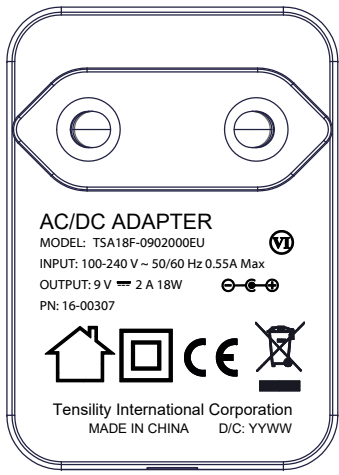
4

3

2

1

| | Rating | Conditions |
|---------------------------------|---|---|
| Input | | |
| Input voltage | 100 - 240 Vac | single phase |
| Frequency | 50 - 60 Hz | |
| Steady ac current | 0.55 A max | 100 - 240 Vac |
| Inrush current | 60 A max | 240 Vac, cold start |
| Standby power | 0.1 W max | 115 or 230 Vac |
| Output | | |
| No load output voltage | 8.55 - 9.45 Vdc | |
| Full load output voltage | 8.55 - 9.45 Vdc | 2 A |
| Power | 18 Watts continuous | all specified conditions |
| Ripple voltage | 150 mV p-p at 2 A | 20 MHz bandwidth oscilloscope, terminated with 0.1 μ F ceramic capacitor and 47 μ F electrolytic capacitor, 25 °C |
| Over current protection | 110 - 200% of max load | |
| Short circuit protection | input power shutdown, auto-recovery after fault removed | output short |
| Reliability & Safety | | |
| Leakage current | 0.25 mA max | nominal ac input voltage and frequency |
| Burn-in test | 2 hours | 40 °C max at normal input voltage and rated load |
| Efficiency | Energy Star Level VI, 85% min | 115 or 230 Vac |
| MTBF | 50,000 hours min | MIL-HDBK-217F |
| Hi-Pot (primary to secondary) | 3300 Vac, 5 mA max | 3 seconds (production testing) |
| Hi-Pot (primary to secondary) | 3000 Vac, 10 mA max | 60 seconds (safety testing) |
| Insulation resistance | 100 M Ω , primary to secondary | 500 Vdc |
| Safety testing | EN62368 | |
| EMC/EMI testing | EN55032, EN55024 | |
| Mechanical | | |
| Weight | 95 \pm 10 g | |
| Environmental | | |
| Operating temperature | 0 to 40 °C | 10 - 90% relative humidity |
| Storage temperature | -25 to 70 °C | 5 - 95% relative humidity |



Not to Scale

| | | | | |
|-----------|------------|-----------------|--|---|
| Revision: | Date: | Description: | Prepared: | Notes: RoHS & REACH compliant Approvals: CE VI |
| A | 11/17/2025 | Initial release | Verified: | |
| | | | Dimensions are in millimeters. Tolerances: X: \pm 0.5 mm X.X: \pm 0.3 mm X.XX: \pm 0.05 mm | Description: Adapter, WP, 240V, EU, 2P, 9V, 2A, 5.5x2.5x9.5 mm 90° plug, 10-06533 cable, C+, Level VI |

TENSILITY

tel 1.541.323.3228 800 877.670.7118
fax 1.541.323.4202 web tensility.com

| | |
|------------|--------------|
| Size: | Part number: |
| A | 16-00307 |
| Scale: 1:2 | Sheet 2 of 2 |