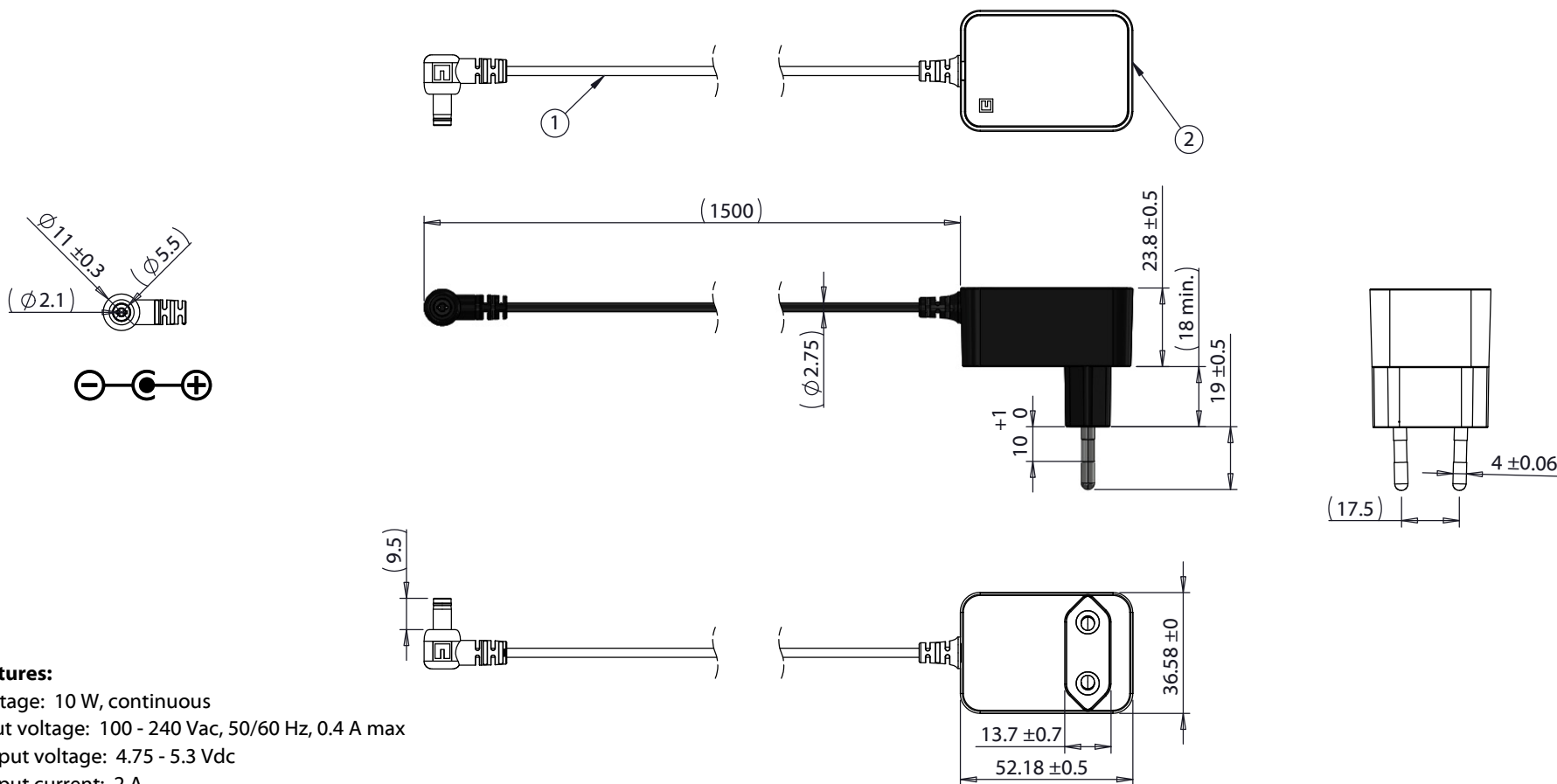





| ITEM NO. | PART NUMBER | DESCRIPTION | QTY. | COMPONENT NOTES |
|----------|-------------|--|------|-----------------|
| 1 | 10-06531 | Cable, 1500 mm, 5.5x2.1x9.5 mm 50-00133 90° plug to 30 mm stripped tinned, 22 AWG, 30-00341 wire | 1 | |
| 2 | 26-00013 | Case, wall mount, ac-dc power supply, 52.18x36.58x23.8 mm, CEE 7/16 | 1 | |



Features:

Wattage: 10 W, continuous
 Input voltage: 100 - 240 Vac, 50/60 Hz, 0.4 A max
 Output voltage: 4.75 - 5.3 Vdc
 Output current: 2 A
 Efficiency: Energy Star Level VI
 Safety: EN62368

| | | | | | |
|-----------|------------|-----------------|--|--|--|
| Revision: | Date: | Description: | Prepared: | Notes: RoHS & REACH compliant Approvals:  |  tel 1.541.323.3228 800 877.670.7118 fax 1.541.323.4202 web tensility.com |
| A | 11/19/2025 | Initial release | Verified: | | |
| | | | Dimensions are in millimeters. Tolerances: X: ± 0.5 mm X.X: ± 0.3 mm X.XX: ± 0.05 mm | | |
| | | | Description: | Description: Adapter, WP, 240V, EU, 2P, 5V, 2A, 5.5x2.1x9.5 mm 90° plug, 10-06531 cable, C+, Level VI | |
| | | | | Size: | Part number: |
| | | | | A | 16-00293 |
| | | | | Scale: 1:2 |  Sheet 1 of 2 |

5

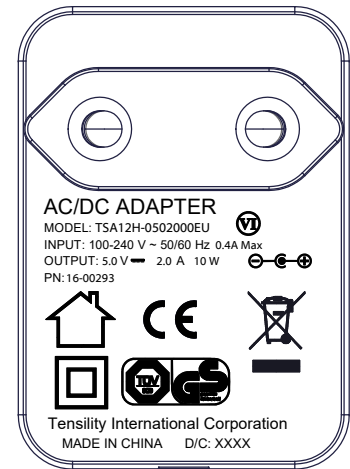
4

3

2

1

| | Rating | Conditions |
|---------------------------------|---|---|
| Input | | |
| Input voltage | 100 - 240 Vac | single phase |
| Frequency | 50 - 60 Hz | |
| Steady ac current | 0.4 A max | 100 - 240 Vac |
| Inrush current | 60 A max | 240 Vac, cold start |
| Standby power | 0.1 W max | 115 or 230 Vac |
| Output | | |
| No load output voltage | 4.75 - 5.3 Vdc | |
| Full load output voltage | 4.75 - 5.3 Vdc | 2 A |
| Power | 10 Watts continuous | all specified conditions |
| Ripple voltage | 150 mV p-p at 2 A | 20 MHz bandwidth oscilloscope, terminated with 0.1 μ F ceramic capacitor and 10 μ F electrolytic capacitor, 25 °C |
| Over current protection | 105 - 200% of max load | |
| Short circuit protection | input power shutdown, auto-recovery after fault removed | output short |
| Reliability & Safety | | |
| Leakage current | 0.25 mA max | nominal ac input voltage and frequency |
| Burn-in test | 2 hours | 40 °C max at normal input voltage and rated load |
| Efficiency | Energy Star Level VI, 78.70% min | 115 or 230 Vac |
| MTBF | 50,000 hours min | MIL-HDBK-217F |
| Hi-Pot (primary to secondary) | 3300 Vac, 5 mA max | 3 seconds (production testing) |
| Hi-Pot (primary to secondary) | 3000 Vac, 10 mA max | 60 seconds (safety testing) |
| Insulation resistance | 100 M Ω , primary to secondary | 500 Vdc |
| Safety testing | EN 62368 | |
| EMC/EMI testing | EN 55032, EN 55035 | |
| Mechanical | | |
| Weight | 74 \pm 10 g | |
| Environmental | | |
| Operating temperature | 0 to 40 °C | 10 - 90% relative humidity |
| Storage temperature | -25 to 70 °C | 5 - 95% relative humidity |



Not to scale

| | | | | |
|-----------|------------|-----------------|--|---|
| Revision: | Date: | Description: | Prepared: | Notes: RoHS & REACH compliant Approvals: |
| A | 11/19/2025 | Initial release | Verified: | |
| | | | Dimensions are in millimeters. Tolerances: X: \pm 0.5 mm X.X: \pm 0.3 mm X.XX: \pm 0.05 mm | Description: Adapter, WP, 240V, EU, 2P, 5V, 2A, 5.5x2.1x9.5 mm 90° plug, 10-06531 cable, C+, Level VI |
| | | | | |

TENSILITY

tel 1.541.323.3228 800 877.670.7118
 fax 1.541.323.4202 web tensility.com

| | |
|------------|--------------|
| Size: | Part number: |
| A | 16-00293 |
| Scale: 1:1 | Sheet 2 of 2 |