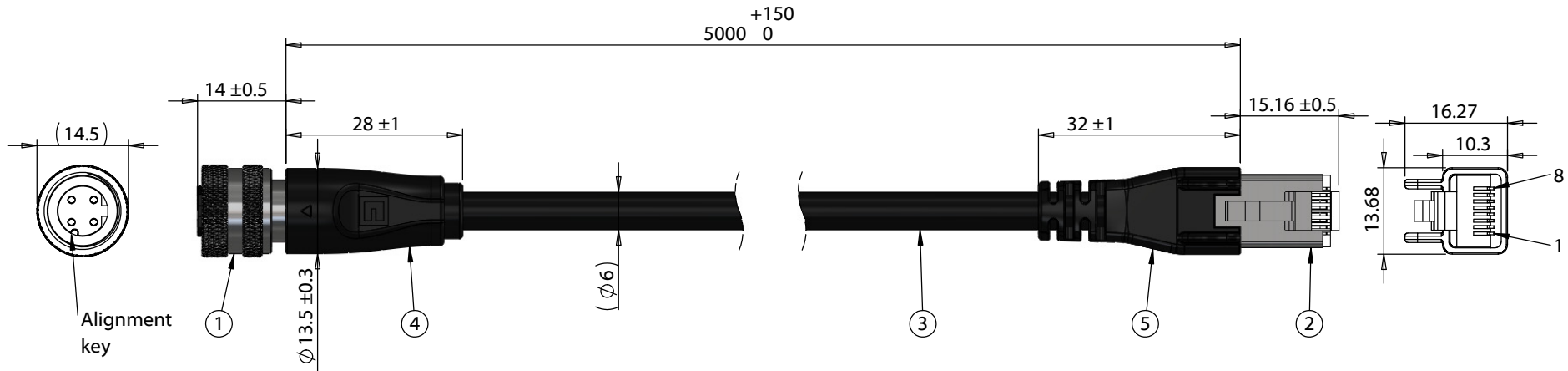


| ITEM NO. | PART NUMBER | DESCRIPTION  | COMPONENT NOTES | QTY. |
|----------|-------------|--|-----------------|------|
| 1        | 50-01028    | Connector, M12 D-code socket, 4 pin, 12xL22 mm, molding style, solder cup, gold plated, IP67, shielded |                 | 1    |
| 2        | 50-00995    | Connector, 8P8C RJ45 plug, IDC, CAT6a, shielded  |                 | 1    |
| 3        | 30-03677    | Wire, 4C, 2PR BC, 24AWG, CAT5e SF/UTP, UL21765, 300V, 105C, 60C oil, UV, 6 mm, shielded, VW-1, TPU     |                 | 1    |
| 4        | 24-00349    | Overmold, M12 plug and jack, 180°  | PVC, black      | 1    |
| 5        | 24-00362    | Overmold, RJ45 plug  | PVC, black      | 1    |

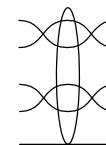
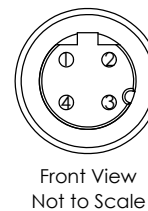


**Notes:**  
Voltage: 48 V  
Current: 1.5 A  
Temperature: -40 ~ 105 °C  
Signal: Ethernet CAT5e, 1 Gbps

**Wire:**  
Oil resistant up to 60 °C  
Water resistant up to 75 °C  
UV resistant

IP67 waterproof rating when M12 connector mated with corresponding (IP67) M12 connector

Functionally equivalent components may be substituted



| Wiring Diagram |              |          |
|----------------|--------------|----------|
| 50-01028       | wire color   | 50-00995 |
| 1              | white/orange | 1        |
| 3              | orange       | 2        |
| 2              | white/green  | 3        |
| 4              | green        | 6        |
| Shell          | Shield       | Shell    |

|           |         |                 |  |   |   |
|-----------|---------|-----------------|--|---|---|
| Revision: | Date:   | Description:    | Prepared:  | Notes:  | <h1>TENSILITY</h1> <p>tel 1.541.323.3228 800 877.670.7118<br/> fax 1.541.323.4202 web tensility.com</p> |
| A         | 8/19/25 | Initial release | Verified:  | RoHS compliant  |   |
|           |         |                 | Dimensions are in millimeters.<br>Tolerances:<br>X: ± 0.5 mm<br>X.X: ± 0.3 mm<br>X.XX: ± 0.05 mm | Function test: no open, no short circuit, no intermittent   |   |
|           |         |                 |  | Description:<br>Cable, 5000 mm, M12 D-code socket 4 pin 50-01028 to RJ45 plug 8P4C 50-00995, CAT5e, 24 AWG, 30-03677 wire |   |
| Size:     |         | Part number:    |  | Scale: 1:1  |   |
| A         |         | 10-06497        |  | Sheet 1 of 1  |   |

5

4

3

2

1