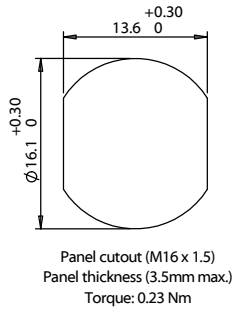
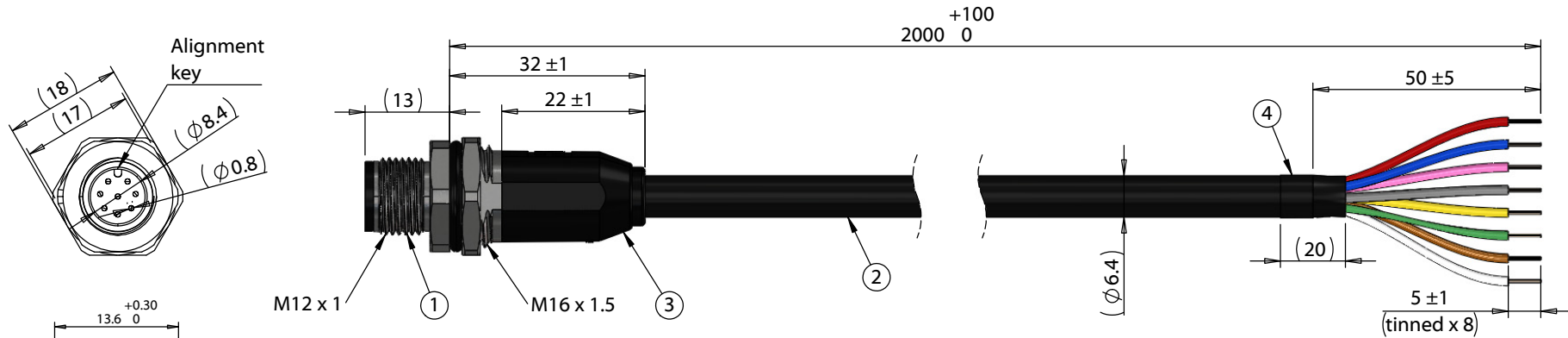


ITEM NO.	PART NUMBER	DESCRIPTION	COMPONENT NOTES	QTY.
1	54-00538	Connector, M12 A-code plug, 8 pin, 12xL28 mm, panel mount, molding style, solder cup, gold plated, IP67		1
2	30-03792	Wire, 8C TS, 24 AWG, UL20387, 300V, 105C, 60C oil, UV, 6.4 mm, VW-1, PVC, 80A, black		1
3	24-00455	Overmold, M12, 14x22 mm, plug	PVC, black	1
4	32-00026	Heat shrink, 7.5 mm ID, 7 mm OD, EVA, 2:1 ratio, 125 °C, UL VW-1, thin wall	covers end of jacket	1



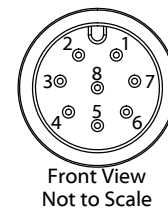
Notes:
 Cable rated for 30 V, 2 A
 Temperature: -40 ~ 105 °C
 Oil resistant up to 60 °C
 Water resistant: 75 °C
 UV resistant

IP67 waterproof rating when mated with corresponding (IP67) connector

Functionally equivalent components may be substituted

Install from outside of the panel, attach nut and tighten from within.

Wiring Diagram	
54-00538	wire color
1	white
2	brown
3	green
4	yellow
5	gray
6	pink
7	blue
8	red



Revision:	Date:	Description:	Prepared:	Notes: RoHS compliant Function test: no open, no short circuit, no intermittent	<h1>TENSILITY</h1> <p>tel 1.541.323.3228 800 877.670.7118 fax 1.541.323.4202 web tensility.com</p>
A	10/21/2025	initial release	Verified:		
			Dimensions are in millimeters. Tolerances: X: ± 0.5 mm X.X: ± 0.3 mm X.XX: ± 0.05 mm	Description: Cable, 2000 mm, M12 A-code plug 8 pin panel mount 54-00538 to 5 mm tinned, 24 AWG, 30-03792 wire	Size: A
					Part number: 10-06450
					Scale: 1:1
					Sheet 1 of 1

5

4

3

2

1