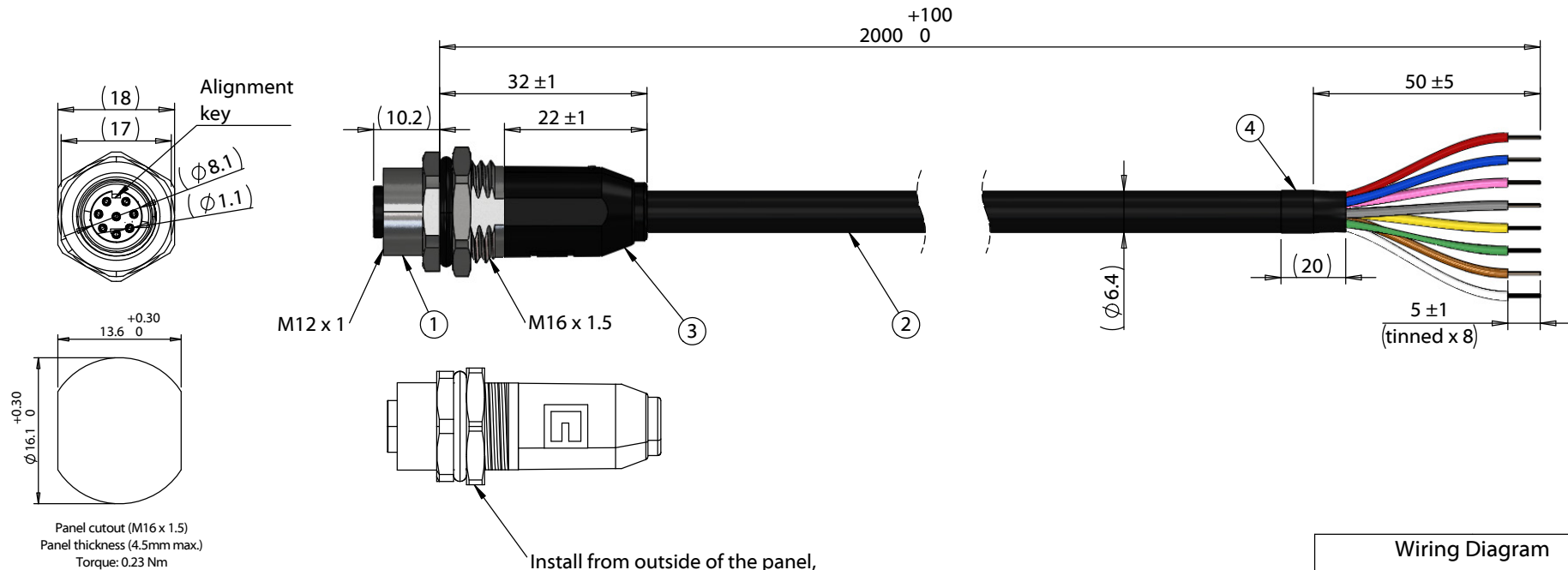


ITEM NO.	PART NUMBER	DESCRIPTION	COMPONENT NOTES	QTY.
1	54-00529	Connector, M12 A-code socket, 8 pin, 12xL27.2 mm, panel mount, molding style, solder cup, gold plated, IP67		1
2	30-03792	Wire, 8C TS, 24 AWG, UL20387, 300V, 105C, 60C oil, UV, 6.4 mm, VW-1, PVC, 80A, black		1
3	24-00454	Overmold, M12, 14x22 mm, Socket	PVC, black	1
4	32-00026	Heat shrink, 7.5 mm ID, 7 mm OD, EVA, 2:1 ratio, 125 °C, UL VW-1, thin wall	covers end of jacket	1

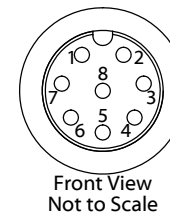


Install from outside of the panel, attach nut and tighten from within.

Notes:
 Cable rated for 30 V, 2 A
 Temperature: -40 ~ 105 °C
 Oil resistant up to 60 °C
 Water resistant: 75 °C
 UV resistant

IP67 waterproof rating when mated with corresponding (IP67) connector

Functionally equivalent components may be substituted



Wiring Diagram	
54-00529	wire color
1	white
2	brown
3	green
4	yellow
5	gray
6	pink
7	blue
8	red

Revision:	Date:	Description:	Prepared:	Notes: RoHS compliant Function test: no open, no short circuit, no intermittent	<h1>TENSILITY</h1> <p>tel 1.541.323.3228 800 877.670.7118 fax 1.541.323.4202 web tensility.com</p>
A	10/21/2025	initial release	Verified:		
			Dimensions are in millimeters. Tolerances: X: ± 0.5 mm X.X: ± 0.3 mm X.XX: ± 0.05 mm	Description: Cable, 2000 mm, M12 A-code socket 8 pin panel mount 54-00529 to 5 mm tinned, 24 AWG, 30-03792 wire	Size: A Part number: 10-06449
					Scale: 1:1