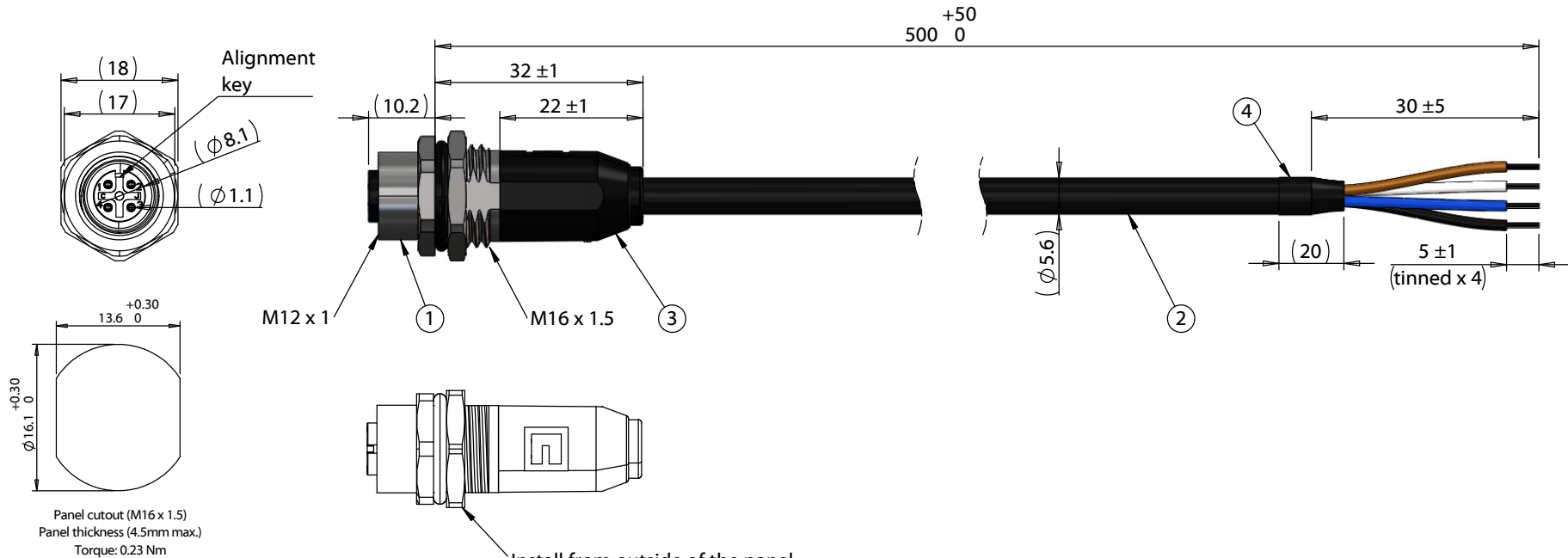


ITEM NO.	PART NUMBER	DESCRIPTION	COMPONENT NOTES	QTY.
1	54-00540	Connector, M12 A-code socket, 4 pin, 12xL27.2 mm, panel mount, molding style, solder cup, gold plated, IP67		1
2	30-03673	Wire, 4C TS, 22 AWG, UL20387, 300V, 105C, 60C oil, UV, 5.6 mm, VW-1, PVC, 80A, black		1
3	24-00454	Overmold, M12, 14x22 mm, Socket	PVC, black	1
4	32-00025	Heat shrink, 6.5 mm ID, 6 mm OD, EVA, 2:1 ratio, 125 °C, UL VW-1, thin wall	covers end of jacket	1

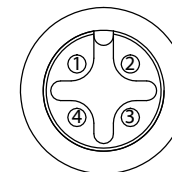


Install from outside of the panel,
attach nut and tighten from within.

Notes:
Cable rated for 250 V, 4 A
Temperature: -40 ~ 105 °C
Oil resistant up to 60 °C
Water resistant: 75 °C
UV resistant

IP67 waterproof rating when mated with corresponding
(IP67) connector

Functionally equivalent components may be substituted



Front View
Not to Scale

Wiring Diagram	
54-00540	wire color
1	Brown
2	White
3	Blue
4	Black

Revision:	Date:	Description:	Prepared:	Notes:	<h1>TENSILITY</h1> <p>tel 1.541.323.3228 800 877.670.7118 fax 1.541.323.4202 web tensility.com</p>
A	10/21/2025	initial release	Verified:	RoHS compliant	
			Dimensions are in millimeters. Tolerances: X: ± 0.5 mm X.X: ± 0.3 mm X.XX: ± 0.05 mm	Function test: no open, no short circuit, no intermittent	
				Description: Cable, 500 mm, M12 A-code socket 4 pin panel mount 54-00540 to 5 mm tinned, 22 AWG, 30-03673 wire	
Scale: 1:1		Part number: 10-06444		Sheet 1 of 1	

5

4

3

2

1