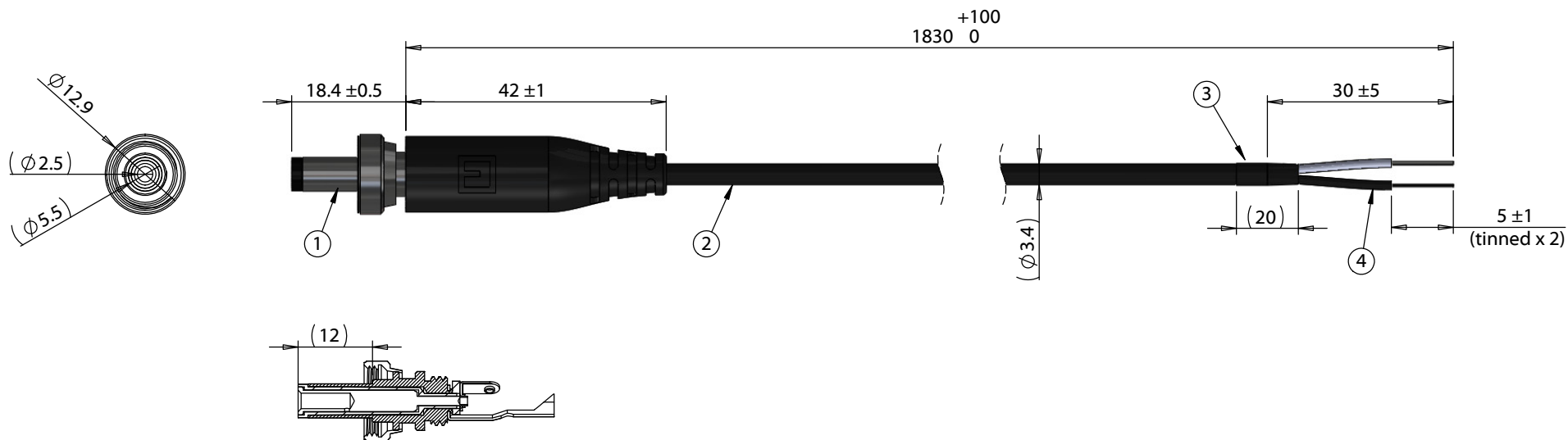


ITEM NO.	PART NUMBER	DESCRIPTION	QTY.	COMPONENT NOTES
1	55-00205	Connector, dc plug, 5.5x2.5xL60.4 mm, 3.8 mm SR, locking style, assembly type, IP68, threaded	1	
2	30-00567	Wire, 1C TS, 24 AWG, UL10846, 300V, 80C, 3.4 mm, shielded, FT-2, TPU, 85A	1	
3	32-00022	Heat shrink, 4.4 mm ID, 4 mm OD, EVA, 2:1 ratio, 125 °C, UL VW-1, thin wall	1	black, covers end of jacket
4	32-00015	Heat shrink, 1.1 mm ID, 0.8 mm OD, EVA, 2:1 ratio, 125 °C, UL VW-1, thin wall	1	black, covers of sleeve

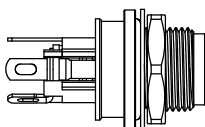


**Ratings**  
Voltage: 48 Vdc  
Current: 9.5 A  
Temperature: -20 ~ 80°C  
Ingress: IP68

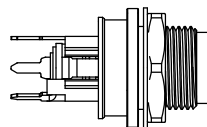
**Materials**  
Phthalate free  
Halogen free

Functionally equivalent components may be substituted

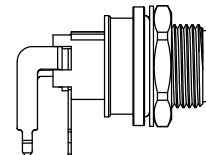
54-00411



54-00412



54-00413



Mating connectors

Wiring Diagram

55-00205	wire color
center	white
sleeve	black

Revision:	Date:	Description:	Prepared:	Notes: RoHS compliant Function test: no open, no short circuit, no intermittent	<h1>TENSILITY</h1> <p>tel 1.541.323.3228 800 877.670.7118  fax 1.541.323.4202 web tensility.com</p>
A	03/10/2025	Initial release	Verified:		
			Dimensions are in millimeters. Tolerances: X: ± 0.5 mm X.X: ± 0.3 mm X.XX: ± 0.05 mm	Description: Cable, 1830 mm, 5.5x2.5x12 mm 55-00205 dc plug to 5 mm tinned, 24 AWG, 30-00567, IP68	Size: A
					Part number: 10-06363
					Scale: 1:1
					Sheet 1 of 1

5

4

3

2

1