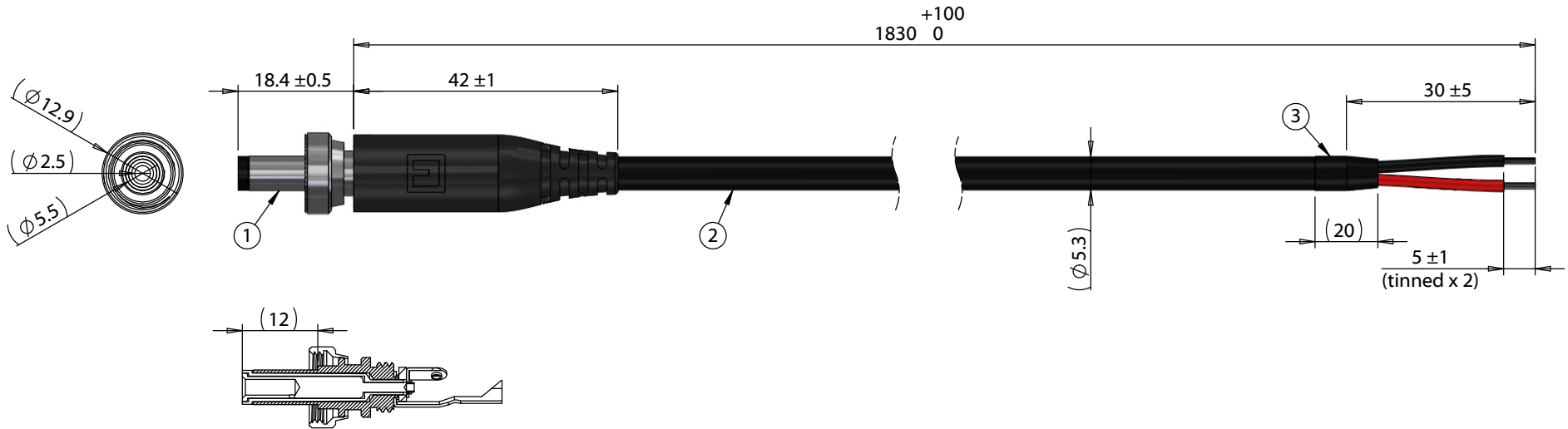


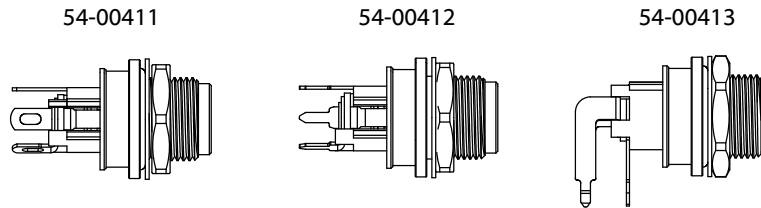
ITEM NO.	PART NUMBER	DESCRIPTION	QTY.	COMPONENT NOTES
1	55-00203	Connector, dc plug, 5.5x2.5xL60.4 mm, 5.3 mm SR, locking style, assembly type, IP68, threaded	1	
2	30-03061	Wire, 2C TS, 20 AWG, UL21765, 300V, 105C, 60C oil, UV, 5.3 mm, VW-1, TPU	1	
3	32-00024	Heat shrink, 5.5 mm ID, 5 mm OD, EVA, 2:1 ratio, 125 °C, UL VW-1, thin wall	1	black, covers end of jacket



**Ratings**  
Voltage: 48 Vdc  
Current: 9.5 A  
Temperature: -20 ~ 80°C  
Ingress: IP68

**Materials**  
Phthalate free  
Halogen free

Functionally equivalent components may be substituted



Mating connectors

Wiring Diagram	
55-00203	wire color
center	red
sleeve	black

Revision:	Date:	Description:	Prepared:	Notes: RoHS compliant Function test: no open, no short circuit, no intermittent	<h1>TENSILITY</h1> <p>tel 1.541.323.3228 800 877.670.7118  fax 1.541.323.4202 web tensility.com</p>
A	03/10/2025	Initial release	Verified:		
			Dimensions are in millimeters. Tolerances: X: ± 0.5 mm X.X: ± 0.3 mm X.XX: ± 0.05 mm		
				Description: Cable, 1830 mm, 5.5x2.5x12 mm 55-00203 dc plug to 5 mm tinned, 20 AWG, 30-03061, IP68	Size: A
					Part number: 10-06361
					Scale: 1:1
					Sheet 1 of 1