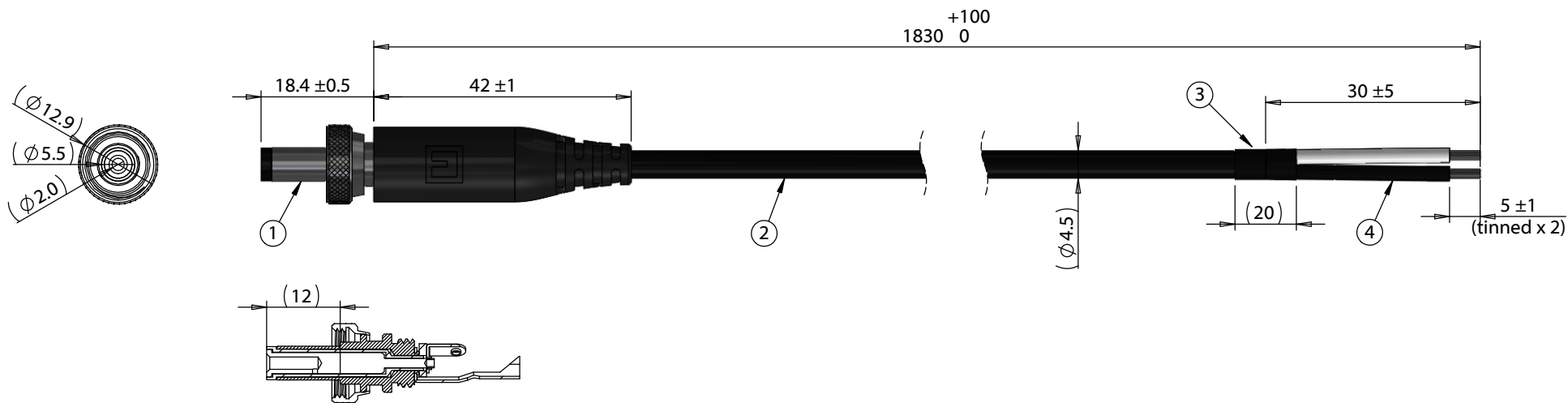


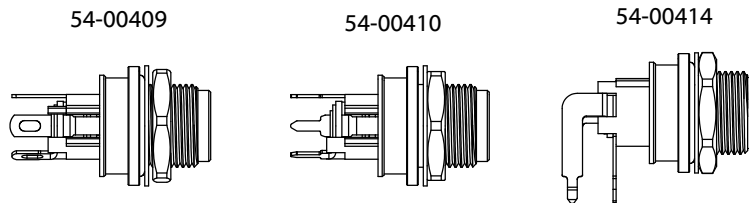
ITEM NO.	PART NUMBER	DESCRIPTION	QTY.	COMPONENT NOTES
1	55-00201	Connector, dc plug, 5.5x2.0xL60.4 mm, 4.5 mm SR, locking style, assembly type, IP68, threaded	1	
2	30-00555	Wire, 1C TS, 16 AWG, UL10846, 300V, 80C, 4.5 mm, shielded, VW-1, TPU	1	
3	32-00024	Heat shrink, 5.5 mm ID, 5 mm OD, EVA, 2:1 ratio, 125 °C, UL VW-1, thin wall	1	black, covers end of jacket
4	32-00016	Heat shrink, 1.4 mm ID, 1 mm OD, EVA, 2:1 ratio, 125 °C, UL VW-1, thin wall	1	black, covers of sleeve



Ratings
Voltage: 48 Vdc
Current: 9 A
Temperature: -20 ~ 80 °C
Ingress: IP68

Materials
Phthalate free
Halogen free

Functionally equivalent components may be substituted



Mating connectors

Wiring Diagram	
50-00201	wire color
center	white
sleeve	black

Revision:	Date:	Description:	Prepared:	Notes: RoHS compliant Function test: no open, no short circuit, no intermittent	<h1>TENSILITY</h1> <p>tel 1.541.323.3228 800 877.670.7118 fax 1.541.323.4202 web tensility.com</p>
A	03/10/2025	Initial release	Verified:		
			Dimensions are in millimeters. Tolerances: X: ± 0.5 mm X.X: ± 0.3 mm X.XX: ± 0.05 mm	Description: Cable, 1830 mm, 5.5x2.0x12 mm 55-00201 dc plug to 5 mm tinned, 16 AWG, 30-00555, IP68	Size: A Part number: 10-06359
					Scale: 1:1 Sheet 1 of 1

5 4 3 2 1