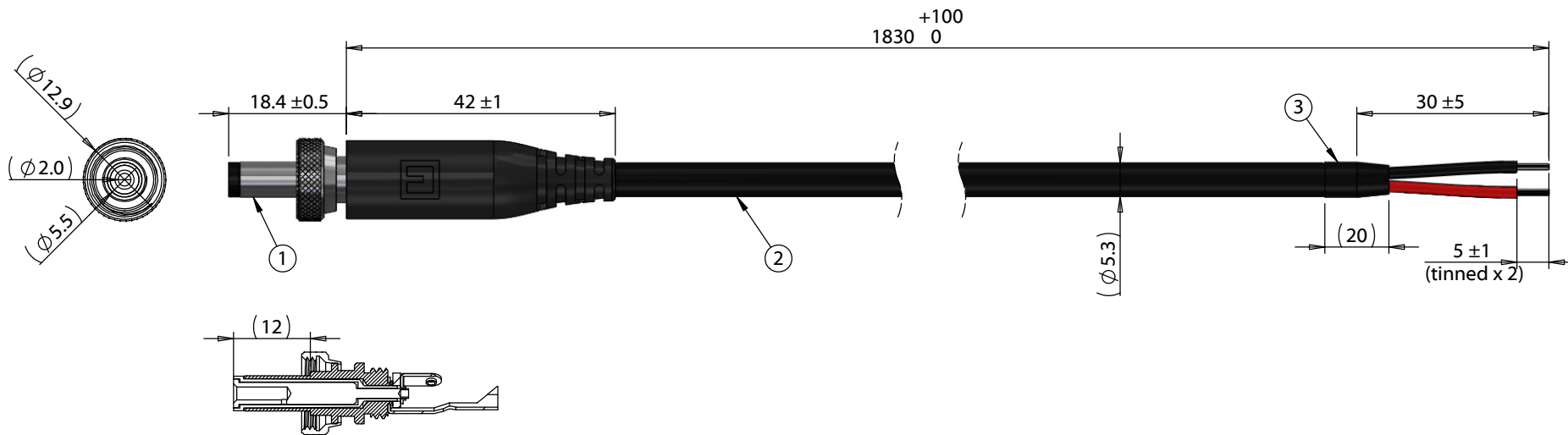


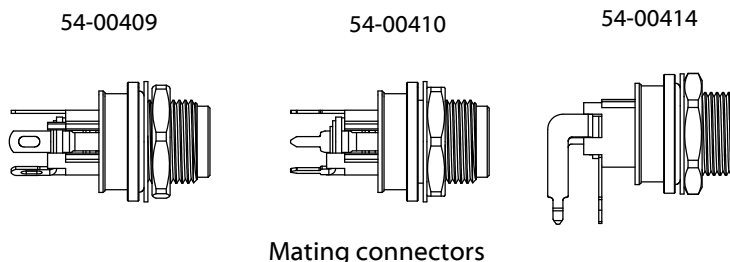
ITEM NO.	PART NUMBER	DESCRIPTION	QTY.	COMPONENT NOTES
1	55-00200	Connector, dc plug, 5.5x2.0xL60.4 mm, 5.3 mm SR, locking style, assembly type, IP68, threaded	1	
2	30-03061	Wire, 2C TS, 20 AWG, UL21765, 300V, 105C, 60C oil, UV, 5.3 mm, VW-1, TPU	1	
3	32-00024	Heat shrink, 5.5 mm ID, 5 mm OD, EVA, 2:1 ratio, 125 °C, UL VW-1, thin wall	1	black, covers end of jacket



Ratings
Voltage: 48 Vdc
Current: 9 A
Temperature: -20 ~ 80°C
Ingress: IP68

Materials
Phthalate free
Halogen free

Functionally equivalent components may be substituted



Wiring Diagram	
55-00200	wire color
center	red
sleeve	black

Revision:	Date:	Description:	Prepared:	Notes:	<h1>TENSILITY</h1> <p>tel 1.541.323.3228 800 877.670.7118 fax 1.541.323.4202 web tensility.com</p>
A	03/10/2025	Initial release	Verified:	RoHS compliant	
			Dimensions are in millimeters. Tolerances: X: ± 0.5 mm X.X: ± 0.3 mm X.XX: ± 0.05 mm	Function test: no open, no short circuit, no intermittent	
				Description: Cable, 1830 mm, 5.5x2.0x12 mm 55-00200 dc plug to 5 mm tinned, 20 AWG, 30-03061, IP68	
Scale: 1:1		Part number: A 10-06358		Sheet 1 of 1	